

## USER MANUAL

### PROFILE 300+



## USER MANUAL

This product manual contains important information about the safe installation and use of this projector. Please read and follow these instructions carefully and keep this manual in a safe place for future reference.

**Please read the instructions carefully before use!**

## 1. SAFETY PRECAUTIONS

This fixture is a sophisticated piece of electronic equipment. To guarantee a smooth operation, it is important to follow all instructions and guidelines in this manual. Manufacturer is not responsible for injuries and damages resulting from the misuse of this fixture due to the disregard of the information printed in this manual. Only qualified or certified personnel should perform installation of this fixture and only the original rigging parts included with this fixture should be used for installation. Any modifications to the fixture and the included mounting hardware will void the original manufacturer's warranty and increase the risk of damage personal injury.

- **PROTECTION CLASS 1 - FIXTURE MUST BE PROPERLY GROUNDED**
- **THERE ARE NO USER SERVICEABLE PARTS INSIDE THIS UNIT.DO NOT ATTEMPT ANY REPAIRS YOURSELF,AS DOING SO WILL VOID YOUR MANUFACTURER'S WARRANTY. DAMAGES RESULTING FROM MODIFICATIONS TO THIS FIXTURE AND/OR THE DISREGARD OF SAFETY INSTRUCTIONS AND GUIDELINES IN THIS MANUAL VOID THE MANUFACTURER'S WARRANTY AND ARE NOT SUBJECT TO ANY WARRANTY CLAIMS AND/OR REPAIRS**
- **DO NOT PLUG FIXTURE INTO A DIMMER PACK**
- **NEVER OPEN THIS FIXTURE WHILE IN USE!**
- **UNPLUG POWER BEFORE SERVICING FIXTURE**
- **NEVER TOUCH FIXTURE DURING OPERATION, AS IT MAY BE HOT! KEEP FLAMMABLE MATERIALS AWAY FROM FIXTURE**
- **NEVER LOOK DIRECTLY INTO THE LIGHT SOURCE**
- **RETINA INJURY RISK - MAY INDUCE BLINDNESS**
- **SENSITIVE PERSONS MAY SUFFER AN EPILEPTIC SHOCK**
- **ENSURE THAT ALL CONNECTIONS AND END CAPS ARE PROPERLY SEALED WITH A DIELECTRIC GREASE (AVAILABLE AT MOST ELECTRICAL SUPPLIERS) TO PREVENT WATER CORROSION AND/OR ELECTRICAL SHORT CIRCUIT**
- **KEEP APPROPRIATE DISTANCE FROM OBJECTS/SURFACES 1 METER (3.3 FEET)**
- **MAXIMUM TEMP OF EXTERNAL SURFACE 185° F (85°C)**
- **MINIMUM DISTANCE OF FLAMMABLE MATERIALS FROM THE SURFACE IS 1.6 FEET (0.5 METER)**
- **DO NOT TOUCH THE FIXTURE HOUSING DURNING OPERATION. TURN OFF THE POWER AND ALLOW APPROXIMATELY 15 MINUTES FOR THE FIXTURE TO COOL DOWN BEFORE SERVICING**
- **DO NOT SHAKE FIXTURE , AND AVOID BRUTE FORCE WHEN INSTALLING OPERATING**
- **DO NOT operate fixture if the power cord is frayed, crimped, damaged or if any of the power cord connectors are damaged and do not insert into the fixture securely with ease**
- **NEVER force a power cord connector into the fixture. If the power cord or any of its connectors are damaged, replace it immediately with a new one of the same power rating**
- **DO NOT block any air ventilation slots**

- **All fan and air inlets must remain clean and never blocked**
- **Allow approx. 6" (15cm) between fixture and other devices or a wall for proper cooling**
- **Always disconnect fixture from main power source before performing any type of service or cleaning procedure**
- **Only handle the power cord by the plug end. Never pull out the plug by tugging the wire portion of the cord**
- **During the initial operation of this fixture, a light smoke or smell may emit from the interior of the fixture. This is a normal process and is caused by excess paint in the interior of the casing burning off from the heat associated with the lamp and will decrease gradually over time.**
- **Consistent operational breaks will ensure fixture will function properly for many years.**
- **ONLY use the original packaging and materials to transport the fixture in for service.**

## **2. MAINTENANCE GUIDELINES**

### **DISCONNECT POWER BEFORE PERFORMING ANY MAINTENANCE!**

#### **2.1. CLEANING**

Frequent cleaning is recommended to ensure proper function, optimized light output, and an extended life. The frequency of cleaning depends on the environment in which the fixture operates: damp, smoky or particularly dirty environments can cause greater accumulation of dirt on the fixture's optics. Periodically clean the external lens surface with a soft cloth to avoid dirt/debris accumulation. NEVER use alcohol, solvents, or ammonia-based cleaners .

#### **2.2. MAINTENANCE**

Regular inspections are recommended to ensure proper function and extended life. There are no user serviceable parts inside this fixture. Please refer all other service issues to an authorized our service technician. Should you need any spare parts, please order genuine parts from your local dealer.

Please refer to the following points during routine inspections:

- A detailed electric check by an approved electrical engineer every three months, to make sure the circuit contacts are in good condition and prevent overheating
- Be sure all screws and fasteners are securely tightened at all times. Loose screws may fall out during normal operation, resulting in damage or injury as larger parts could fall

- Check for any deformations on the housing, color lenses, rigging hardware, and rigging points (ceiling, suspension, trussing). Deformations in the housing could allow for dust to enter into the fixture. Damaged rigging points or unsecured rigging could cause the fixture to fall and seriously injure a person(s)
- Electric power supply cables must not show any damage, material fatigue or sediments. NEVER remove the ground prong from the power cable

### 3.SYSTEM MENU

Main Menu	Sub Menu	Option/Value	Option/Value
DMX Address	001		
	...		
	512		
DMX Loss	Off		
	Hold		
Master	Off		
	On		
Performance	000		
	...		
	041		
Man Dim	Red	0-255	
	Green	0-255	
	Blue	0-255	
	Cyan	0-255	
	Lime	0-255	
	Amber	0-255	
	CTO	0-255	
	Color macro	0-255	
Fan Auto	Auto		
	On		
Display	Display Mode	Auto 5	
		Auto 10	
		Auto 30	
		Auto 60	
		On	
Info	Display Level	0-255	
	Led Temp		
	Hours		
	Serial		
	Sftver		

## 4.DMX CHART

### 1CH Mode

CH	Value	Percent	Function
1CH	0-255	0%-100%	Master Dimmer (3200K)

### 6CH Mode

CH	Value	Percent	Function
1CH	0-255	0%-100%	Red
2CH	0-255	0%-100%	Green
3CH	0-255	0%-100%	Blue
4CH	0-255	0%-100%	Cyan
5CH	0-255	0%-100%	Lime
6CH	0-255	0%-100%	Amber

### 12CH Mode

CH	Value	Percent	Function
1CH	0-255	0%-100%	Red
2CH	0-255	0%-100%	Green
3CH	0-255	0%-100%	Blue
4CH	0-255	0%-100%	Cyan
5CH	0-255	0%-100%	Lime
6CH	0-255	0%-100%	Amber
7CH	0-255	0%-100%	Master Dimmer
8CH	0-255	0%-100%	Strobe
	0	0%-0,4%	Open
	1-255	0,5%-100%	Strobe S>F
9CH	0-255	0%-100%	CTO (Cold to warm)
10CH	0-255	0%-100%	Color Tint (0-127 Magenta Shift 128 Off 129-255 Green Shift)
11CH	0-255	0%-100%	Dim mode



**BRIGHTER LIGHTING SP. Z.O.O.**  
ul. Warszawska 111  
32-087 Bibice  
POLAND  
NIP: 9442248196  
REGON: 361197164

12CH	0-255	0%-100%	Color Macro
------	-------	---------	-------------

## 5.SPECIFICATIONS

### CONSTRUCTION/PHYSICAL

Dimensions:740x315x320mm

Weight: 9,2 Kg

Exterior Color: Black

### DYNAMIC EFFECTS

Dimmer: Electronic

Shutter/Strobe: Electronic

Strobe Rate: 0-25Hz

Standalone: Yes

Color Mixing: RGBALC

### CONNECTIONS

Power Connection: PowerCon

DMX Connection: XLR 3-pin or 5-pin

### CONTROL

Control Protocols: DMX

DMX Channels: 1/6/12 CH

Build-in Effects: Yes

### ELECTRICAL

Power Supply Voltage: 100-240V 50/60Hz

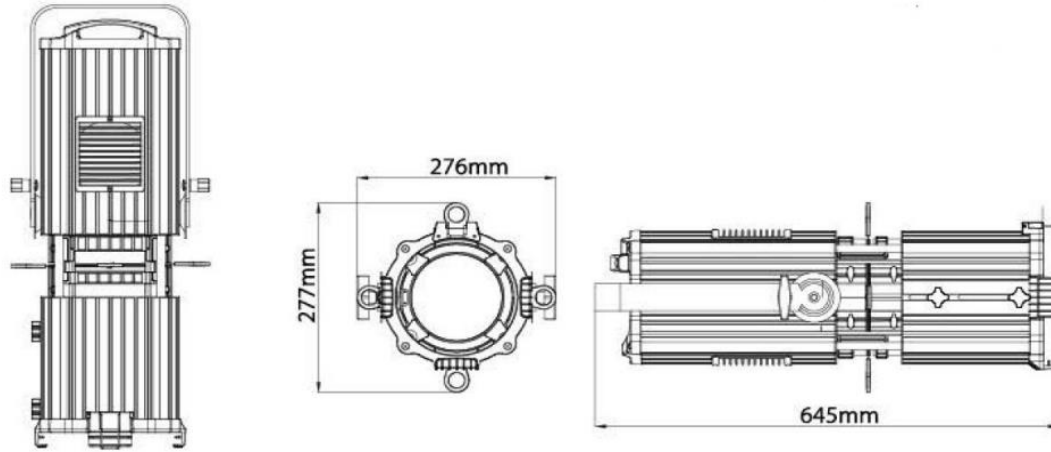
Maximum Power Consumption: 350W

Light Source: 300W RGBALC COB LED

### OPTIC

Installed Optics: 15°-28°/20°-45°(can be changed)

## 6.DIMENSIONAL DRAWINGS





**brighter**

**BRIGHTER LIGHTING SP. Z.O.O.**  
ul. Warszawska 111  
32-087 Bibice  
POLAND  
NIP: 9442248196  
REGON: 361197164

**brighter**

**BRIGHTER LIGHTING SP. Z.O.O.**

ul. Warszawska 111

32-087 Bibice

POLAND

NIP: 9442248196

REGON: 361197164

The manufacturer reserves the right to make changes to technical parameters