

brighter

Mini Eye P40

7x40W LED WASH with zoom, lens rotation, and independent LED Control



This product manual contains important information about the safe installation and use of this projector. Please read and follow these instructions carefully and keep this manual in a safe place for future reference.

User manual

Please read the instructions carefully before use

Content

1. Introduction	4
2. Cleaning and Maintenance.....	4
3. S t a t e m e n t	5
4. Technical Parameters	6
5. Fixture Size.....	7
6. Photometrics.....	7
7. Electrical parameters.....	7
8. Menu Function	8
9. Functions of Buttons	9
10. DMX Channels	11
11. Shape Details	12

Thank you for your patronage!

We are confident that our excellent products and service can satisfy you.

For your own safety, please read this user manual carefully before installing the device. In order to install, operate, and maintain the lighting safety correctly.

We suggest that the installation and operation should be done by the verified technician and follow the instruction strictly.



CAUTION!

Keep this device away from rain and moisture!



CAUTION!

Unplug mains lead before opening the housing!

Every person involved with the installation, operation and maintenance of this device has to: -be qualified

-follow carefully the instructions of this manual

INTRODUCTION:

Thank you for having chosen this professional moving head.

You will see you have acquired a powerful and versatile device.

Unpack the device. Inside the carton box you should find:

1. One power in cable&power out connector
2. One 3Pin DMX cable
3. Two C omega clamps
4. One safety rope
5. One English user manual

(Flight case, Clamps are optional, please contact your dealer)

Please check carefully that there is no damage caused by transportation. Should there be any questions, please consult your dealer and don't install this device.

CLEANING AND MAINTENANCE

1. To reduce the risk of electrical shock or fire, do not expose this unit to rain or moisture.
2. Do not spill water or other liquids into or on to your unit.
3. During long periods of non-use, disconnect the unit's main power.
4. It should be installed in a well-ventilated place, at a distance of 50 centimeters or more with the walls. At the same time, please check if the fan and ventilation holes are unobstructed.

The following points have to be considered during the inspection

- 1) All screws for installing the devices or parts of the device have to be tightly connected and must not be corroded.
- 2) There must not be any deformations on the housing. Fixations and installations spots(ceiling, suspension, trussing).
- 3) Mechanically moved parts must not show any traces of wearing and must not rotate with unbalances.
- 4) The electric power supply cables must not show any damage, material fatigue or sediments. Further instructions depending on the installation spot and usage have to be adhered by a skilled installer and any safety problems have to be removed.



CAUTION!

Disconnect from mains before starting maintenance operation!

In order to make the lights in good condition and extend the life time, we suggest a regular cleaning to the lights.

- 1) Clean the inside and outside lens each week to avoid the weakness of the lights due to accumulation of dust.
- 2) Clean the fan each week.
- 3) A detailed electric check by approved electrical engineer each three month, make sure that the circuit contacts are in good condition, prevent the poor contact of circuit from overheating.

We recommend a frequent cleaning of the device. Please use a moist, lint-free cloth. Never use alcohol or solvents.

Statement

When the product is shipped from the factory, its performance is intact and the packaging is complete. All users should strictly abide by the warnings and operating instructions stated above. Any damage caused by misuse is not covered by the company's warranty. Failures and problems caused by ignoring the operation manual are not within the responsibility of the dealer.

Note: Based on our company's policy of continuous product improvement, the data contained in this manual may change in the future, and will no longer notify the changes. The company reserves the right to change the relevant specification data when the product is improved. The publisher of this manual will not assume any responsibility for the consequences of such information.

TECHNICAL PARAMETERS

Power supply

AC90 - 240V,50/60Hz

Power consumption: 350W@220V

Light source

7*40W RGBW 4 in1 Osram LEDs

Individual LED control

Average life: 50,000 hrs

Color temperature: 2500K-9000K

Color RGBW (red, green, blue and white) linear color mixing adjustment

Effect

Zoom angle: 4-60° ; 16800lux@5m@Min angle

Wash/Beam/Graphic/Effects function

Front lens can rotated infinity

With “vortex” and “kaleidoscope” effects

Variable built-in dynamic effects

4 Linear dimming curves

2 color mode (RGBW / CMY)

Strobe: 1-25 hz, random and pulse flash

Control

Pan/Tilt: 540/230°

Control mode: DMX512

DMX channels: 21/35/42/49/63

XLR in & out: 3-pin

Net weight: 12kg

Carton box(1-in-1):

Size: 59×51×42cm

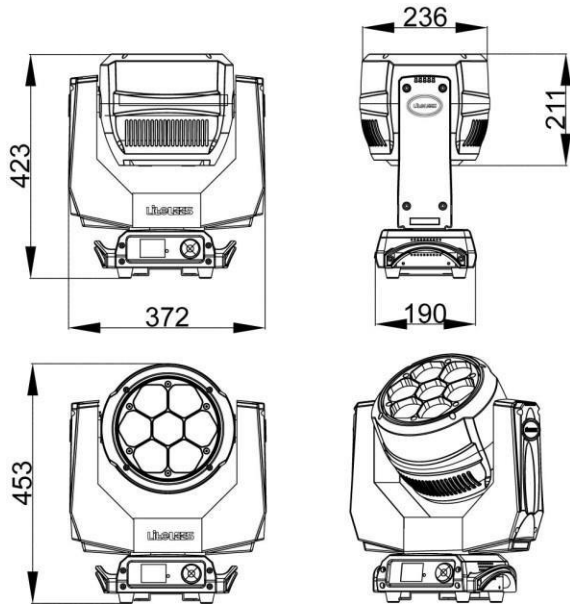
Packed weight: 19kg

Flight case(4-in-1):

Size: 87×83×70cm

Packed weight: 78kg

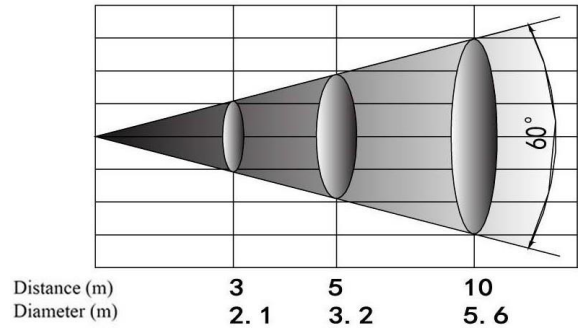
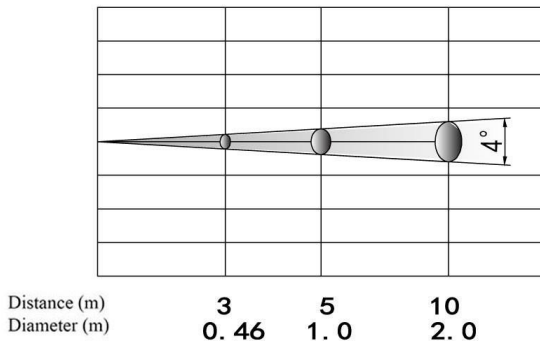
Fixture Size



Photometrics

R (Lux)	8640	3240	996
G (Lux)	15600	5160	1560
B (Lux)	5760	1560	360
W (Lux)	27600	9240	2640
RGBW (Lux)	43200	16800	5280

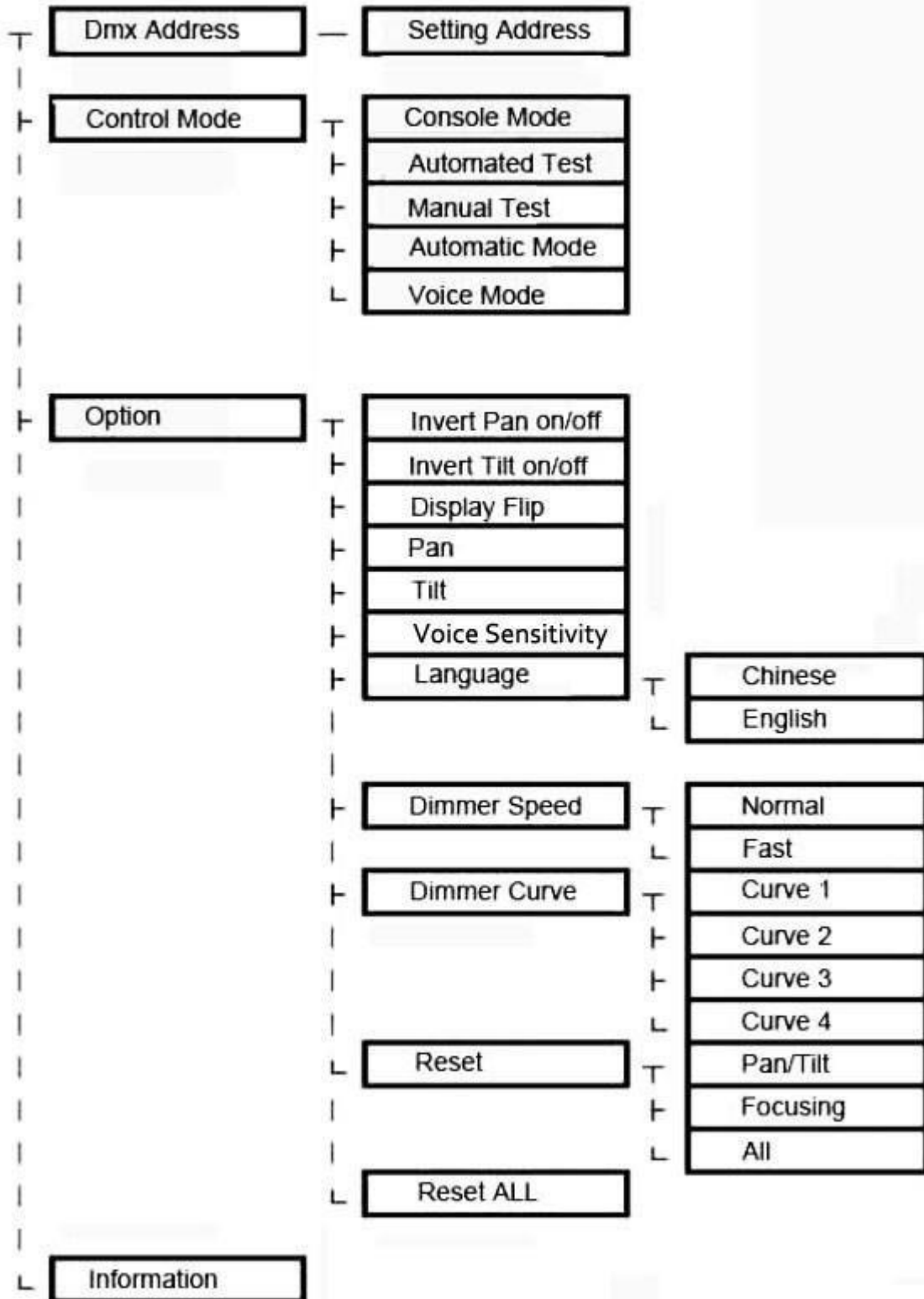
R (Lux)	310	216	60
G (Lux)	594	360	96
B (Lux)	151	96	36
W (Lux)	1164	672	444
RGBW (Lux)	2701	1320	276



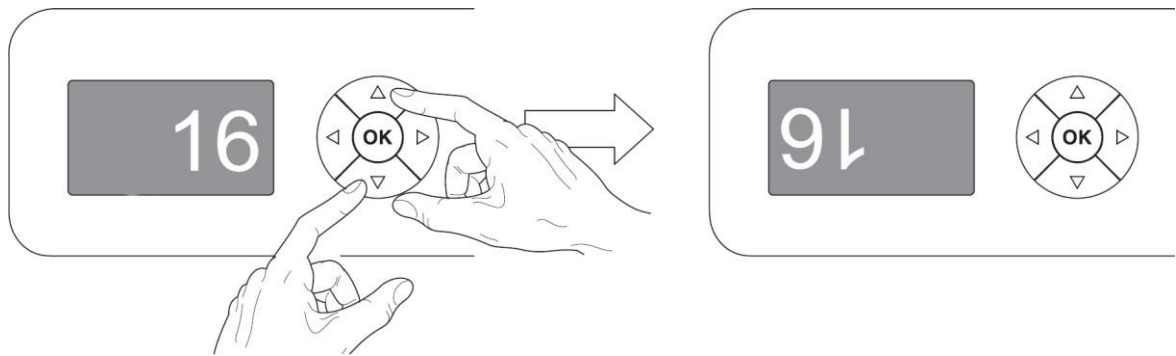
Electrical parameters

U (V)	I (A)	P (W)	cosΦ (PF)	Hz (HZ)
240	1.311	299.3	0.952	50.0
220	1.419	300	0.963	50.0
120	2.600	308	0.991	60.0

MENU FUNCTION



FUNCTIONS OF BUTTONS

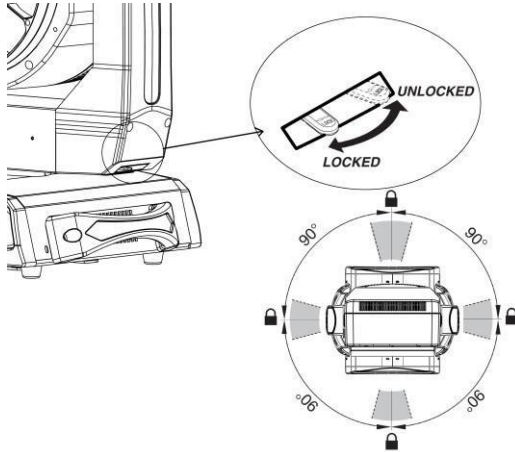


Reversal of the display

To activate this function, press UP and DOWN keys simultaneously while the display is in the rest mode. This status will be memorised and maintained even for the next time it will be switched on. To return to the initial state, repeat the operation all over again.

LED reference number for pixel mapping

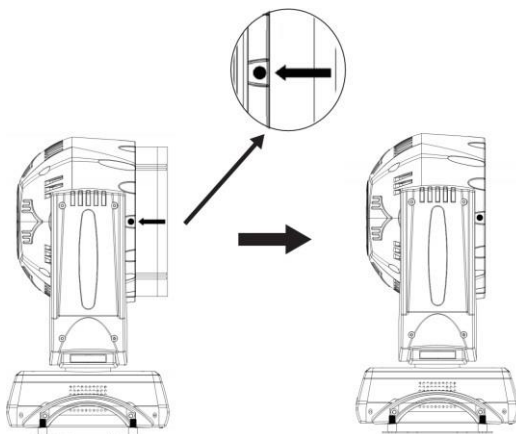
Packaging considerations



The X-axis rapid lock forward is LOCKED, and backward (UNLOCKED) to open.

CAUTION!

Before packing, please get the zoom lens back inside. (Please match the ARROWS with the DOT)



Without this operation, there will be damage of the fixture!

DMX Channels

STANDARD (21CH) 标准模式		SHAPE(35CH) 内置形状模式		EXTENDED(42CH) 拓展RGB模式		EXTENDED RGBW (49ch) 拓展RGBW模式		FULL(63ch) 完整模式	
CH	Channel Mode	CH	Channel Mode	CH	Channel Mode	CH	Channel Mode	CH	Channel Mode
1	Red 红色	1	Red 红色	1	Red 红色	1	Red 红色	1	Red 红色
2	Red fine 红色微调	2	Red fine 红色微调	2	Red fine 红色微调	2	Red fine 红色微调	2	Red fine 红色微调
3	Green 绿色	3	Green 绿色	3	Green 绿色	3	Green 绿色	3	Green 绿色
4	Green fine 绿色微调	4	Green fine 绿色微调	4	Green fine 绿色微调	4	Green fine 绿色微调	4	Green fine 绿色微调
5	Blue 蓝色	5	Blue 蓝色	5	Blue 蓝色	5	Blue 蓝色	5	Blue 蓝色
6	Blue fine 蓝色微调	6	Blue fine 蓝色微调	6	Blue fine 蓝色微调	6	Blue fine 蓝色微调	6	Blue fine 蓝色微调
7	White 白色	7	White 白色	7	White 白色	7	White 白色	7	White 白色
8	White fine 白色微调	8	White fine 白色微调	8	White fine 白色微调	8	White fine 白色微调	8	White fine 白色微调
9	Linear CTO 色温控制	9	Linear CTO 色温控制	9	Linear CTO 色温控制	9	Linear CTO 色温控制	9	Linear CTO 色温控制
10	Macro color 颜色宏	10	Macro color 颜色宏	10	Macro color 颜色宏	10	Macro color 颜色宏	10	Macro color 颜色宏
11	Strobe 频闪	11	Strobe 频闪	11	Strobe 频闪	11	Strobe 频闪	11	Strobe 频闪
12	Dimmer 调光	12	Dimmer 调光	12	Dimmer 调光	12	Dimmer 调光	12	Dimmer 调光
13	Dimmer fine 调光微调	13	Dimmer fine 调光微调	13	Dimmer fine 调光微调	13	Dimmer fine 调光微调	13	Dimmer fine 调光微调
14	Pan 水平	14	Pan 水平	14	Pan 水平	14	Pan 水平	14	Pan 水平
15	Pan fine 水平微调	15	Pan fine 水平微调	15	Pan fine 水平微调	15	Pan fine 水平微调	15	Pan fine 水平微调
16	Tilt 垂直	16	Tilt 垂直	16	Tilt 垂直	16	Tilt 垂直	16	Tilt 垂直
17	Tilt fine 垂直微调	17	Tilt fine 垂直微调	17	Tilt fine 垂直微调	17	Tilt fine 垂直微调	17	Tilt fine 垂直微调
18	Function 功能	18	Function 功能	18	Function 功能	18	Function 功能	18	Function 功能
19	Reset 复位	19	Reset 复位	19	Reset 复位	19	Reset 复位	19	Reset 复位
20	ZOMM 调焦	20	ZOMM 调焦	20	ZOMM 调焦	20	ZOMM 调焦	20	ZOMM 调焦
21	Zoom Rotation 旋转	21	Zoom Rotation 旋转	21	Zoom Rotation 旋转	21	Zoom Rotation 旋转	21	Zoom Rotation 旋转
		22	Shape selection 前层选择	22	Red Led 1 红色1	21	Red Led 1 红色1	22	Shape selection 前层选择
		23	Shape speed 前层速度	23	Green Led 1 绿色1	22	Green Led 1 绿色1	23	Shape speed 前层速度
		24	Shape fade 前层淡化	24	Blue Led 1 蓝色1	23	Blue Led 1 蓝色1	24	Shape fade 前层淡化
		25	Shape R 前层红色	24	WHITE LED 1 白色1	25	Shape R 前层红色
		26	Shape G 前层绿色	40	Red Led 7 红色7	26	Shape G 前层绿色	26	Shape G 前层绿色
		27	Shape B 前层蓝色	41	Green Led 7 绿色7	...	Red Led...	27	Shape B 前层蓝色
		28	Shape W 前层白色	42	Blue Led 7 蓝色7	...	Green Led....	28	Shape W 前层白色
		29	Shape Dimmer 前层调光			Blue Led....	29	Shape Dimmer 前层调光
		30	Background Dimmer 后层			White Led....	30	Background Dimmer 后层
		31	Shape transition 前层淡化			45	Red Led 7	31	Shape transition 前层淡化
		32	Shape offset 前层密度			46	Red Led 7 红色7	32	Shape offset 前层密度
		33	Foreground strobe 前层频			47	Green Led 7 绿色7	33	Foreground strobe 前层频
		34	Background strobe 后层频			48	Blue Led 7 蓝色7	34	Background strobe 后层频
		35	Background select 后层选			49	WHITE LED 7 白色7	35	Background select 后层选
								36	Red Led 1 红色1
								37	Green Led 1 绿色1
								38	Blue Led 1 蓝色1
								39	WHITE LED 1 白色1
							
								60	Red Led 7 红色7
								61	Green Led 7 绿色7
								62	Blue Led 7 蓝色7
								63	WHITE LED 7 白色7

SHAPE MODE DESCRIPTION