

brighter

LED PROFILE 200 RGBW

LED-Based Profile RGBW with adjustable zoom



This product manual contains important information about the safe installation and use of this projector. Please read and follow these instructions carefully and keep this manual in a safe place for future reference.

User manual

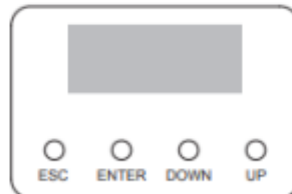
Please read the instructions carefully before use

1. SPECIFICATION

- Power supply AC100V-240V,50Hz/60Hz
- Power consumption 250W
- Lamp: led 200W,rgbw
- Lifetime of led:more than 50000 hours
- Dimmer: 0-100% linear dimmer
- Beam angle: 15° -28° (1321)) /20° -45° (1322)
- Strobe 1-20 flash per second
- Heat dissipation: heat pipe with low noise fan
- LCD screen display
- Control mode: international standard DMX512 signal,
with XLR 3PIN or XLR 5PIN connectors
- Channel mode: 7 channels
- IP20
- Use environment temperature: -20℃—45℃
- N.W.: 9.2Kgs
- G.W.: 11Kgs
- Dimensions(L×W×H): 790×315×320mm

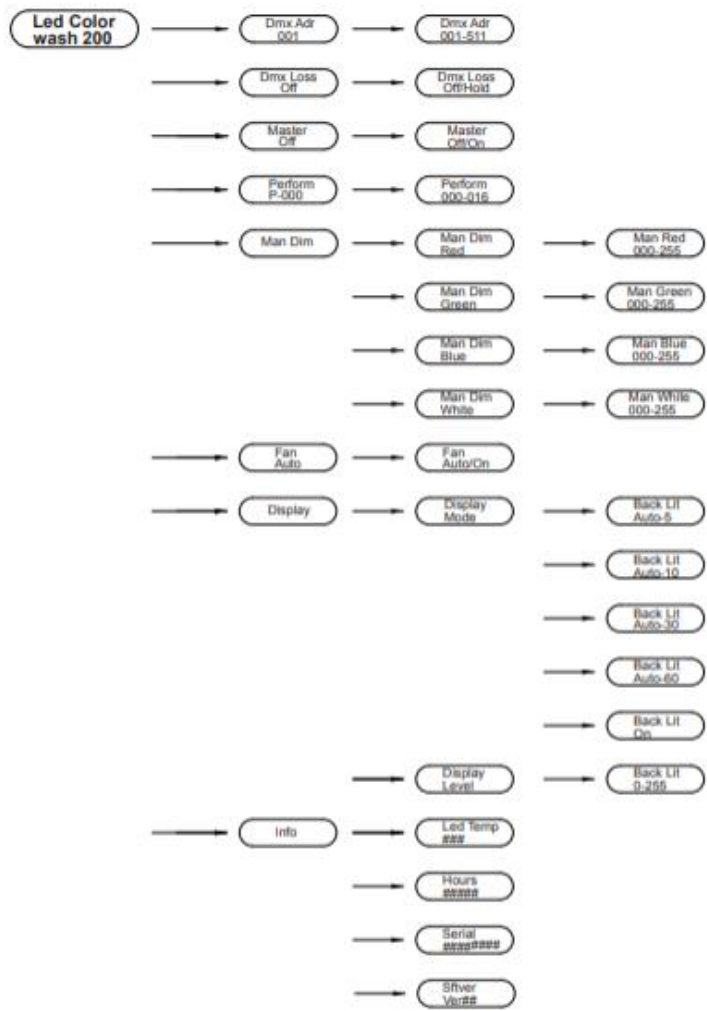
2. DESCRIPTION OF THE KEYS

- ESC;
- ENTER;
- DOWN;
- UP.



BRIGHTER PROFILE 200 RGBW

3. MENU



Important notice:
 This equipment is dimming DMX512 signal priority, when the input signal, the "ManDim" is invalid; as in the menu by light, please cut off the input DMX512 signal!

BRIGHTER PROFILE 200 RGBW

4. DMX PROTOCOL

DMX CONTROL CHANNEL		
1	RED	000-255
2	GREEN	000-255
3	BLUE	000-255
4	WHITE	000-255
5	DIMMER INTENSITY	000-255
6	STROBE	000-255
7	DEMO	000-255

