

USER MANUAL

X-DOT MAX



USER MANUAL

This product manual contains important information about the safe installation and use of this projector. Please read and follow these instructions carefully and keep this manual in a safe place for future reference.

Please read the instructions carefully before use!

1. SAFETY PRECAUTIONS

This fixture is a sophisticated piece of electronic equipment. To guarantee a smooth operation, it is important to follow all instructions and guidelines in this manual. Manufacturer is not responsible for injuries and damages resulting from the misuse of this fixture due to the disregard of the information printed in this manual. Only qualified or certified personnel should perform installation of this fixture and only the original rigging parts included with this fixture should be used for installation. Any modifications to the fixture and the included mounting hardware will void the original manufacturer's warranty and increase the risk of damage personal injury.

- **PROTECTION CLASS 1 - FIXTURE MUST BE PROPERLY GROUNDED**
- **THERE ARE NO USER SERVICEABLE PARTS INSIDE THIS UNIT.DO NOT ATTEMPT ANY REPAIRS YOURSELF,AS DOING SO WILL VOID YOUR MANUFACTURER'S WARRANTY. DAMAGES RESULTING FROM MODIFICATIONS TO THIS FIXTURE AND/OR THE DISREGARD OF SAFETY INSTRUCTIONS AND GUIDELINES IN THIS MANUAL VOID THE MANUFACTURER'S WARRANTY AND ARE NOT SUBJECT TO ANY WARRANTY CLAIMS AND/OR REPAIRS**
- **DO NOT PLUG FIXTURE INTO A DIMMER PACK**
- **NEVER OPEN THIS FIXTURE WHILE IN USE**
- **UNPLUG POWER BEFORE SERVICING FIXTURE**
- **NEVER TOUCH FIXTURE DURING OPERATION, AS IT MAY BE HOT! KEEP FLAMMABLE MATERIALS AWAY FROM FIXTURE**
- **NEVER LOOK DIRECTLY INTO THE LIGHT SOURCE**
- **RETINA INJURY RISK - MAY INDUCE BLINDNESS**
- **SENSITIVE PERSONS MAY SUFFER AN EPILEPTIC SHOCK**
- **ENSURE THAT ALL CONNECTIONS AND END CAPS ARE PROPERLY SEALED WITH A DIELECTRIC GREASE (AVAILABLE AT MOST ELECTRICAL SUPPLIERS) TO PREVENT WATER CORROSION AND/OR ELECTRICAL SHORT CIRCUIT**
- **KEEP APPROPRIATE DISTANCE FROM OBJECTS/SURFACES 1 METER (3.3 FEET)**
- **MAXIMUM TEMP OF EXTERNAL SURFACE 185° F (85°C)**
- **MINIMUM DISTANCE OF FLAMMABLE MATERIALS FROM THE SURFACE IS 1.6 FEET (0.5 METER)**
- **DO NOT TOUCH THE FIXTURE HOUSING DURNING OPERATION. TURN OFF THE POWER AND ALLOW APPROXIMATELY 15 MINUTES FOR THE FIXTURE TO COOL DOWN BEFORE SERVICING**
- **DO NOT SHAKE FIXTURE , AND AVOID BRUTE FORCE WHEN INSTALLING OPERATING**

- **DO NOT** operate fixture if the power cord is frayed, crimped, damaged or if any of the power cord connectors are damaged and do not insert into the fixture securely with ease
- **NEVER** force a power cord connector into the fixture. If the power cord or any of its connectors are damaged, replace it immediately with a new one of the same power rating
- **DO NOT** block any air ventilation slots
- All fan and air inlets must remain clean and never blocked
- Allow approx. 6" (15cm) between fixture and other devices or a wall for proper cooling
- Always disconnect fixture from main power source before performing any type of service or cleaning procedure
- Only handle the power cord by the plug end. Never pull out the plug by tugging the wire portion of the cord
- During the initial operation of this fixture, a light smoke or smell may emit from the interior of the fixture. This is a normal process and is caused by excess paint in the interior of the casing burning off from the heat associated with the lamp and will decrease gradually over time
- Consistent operational breaks will ensure fixture will function properly for many years
- **ONLY** use the original packaging and materials to transport the fixture in for service

2. MAINTENANCE GUIDELINES

DISCONNECT POWER BEFORE PERFORMING ANY MAINTENANCE!

2.1. CLEANING

Frequent cleaning is recommended to ensure proper function, optimized light output, and an extended life. The frequency of cleaning depends on the environment in which the fixture operates: damp, smoky or particularly dirty environments can cause greater accumulation of dirt on the fixture's optics. Periodically clean the external lens surface with a soft cloth to avoid dirt/debris accumulation. NEVER use alcohol, solvents, or ammonia-based cleaners .

2.2. MAINTENANCE

Regular inspections are recommended to ensure proper function and extended life. There are no user serviceable parts inside this fixture. Please refer all other service issues to an authorized our service technician. Should you need any spare parts, please order genuine parts from your local dealer.

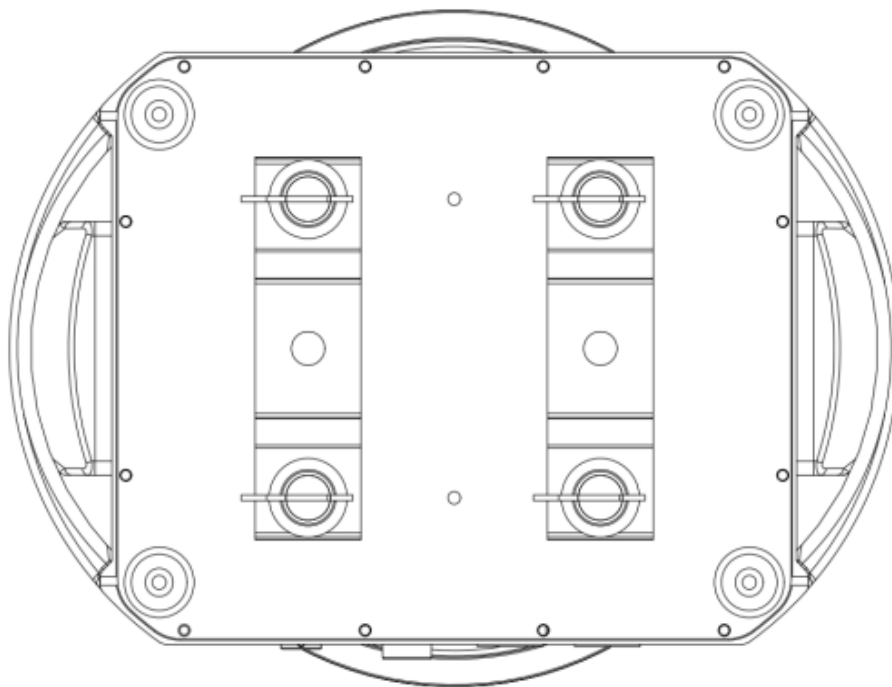
Please refer to the following points during routine inspections:

- A detailed electric check by an approved electrical engineer every three months, to make sure the circuit contacts are in good condition and prevent overheating
- Be sure all screws and fasteners are securely tightened at all times. Loose screws may fall out during normal operation, resulting in damage or injury as larger parts could fall
- Check for any deformations on the housing, color lenses, rigging hardware, and rigging points (ceiling, suspension, trussing). Deformations in the housing could allow for dust to enter into the fixture. Damaged rigging points or unsecured rigging could cause the fixture to fall and seriously injure a person(s)
- Electric power supply cables must not show any damage, material fatigue or sediments. NEVER remove the ground prong from the power cable

3. INSTALLATION GUIDELINES

OMEGA BRACKET INSTALLATION

Insert the Omega Brackets into the matching holes on the bottom of the fixture. Secure the Omega Brackets to the fixture by turning each quick-lock fastener $\frac{1}{4}$ turn clockwise. Always check to make sure that each fastener is completely locked. Omega brackets can be installed into the underside of the fixture's base as illustrated below.



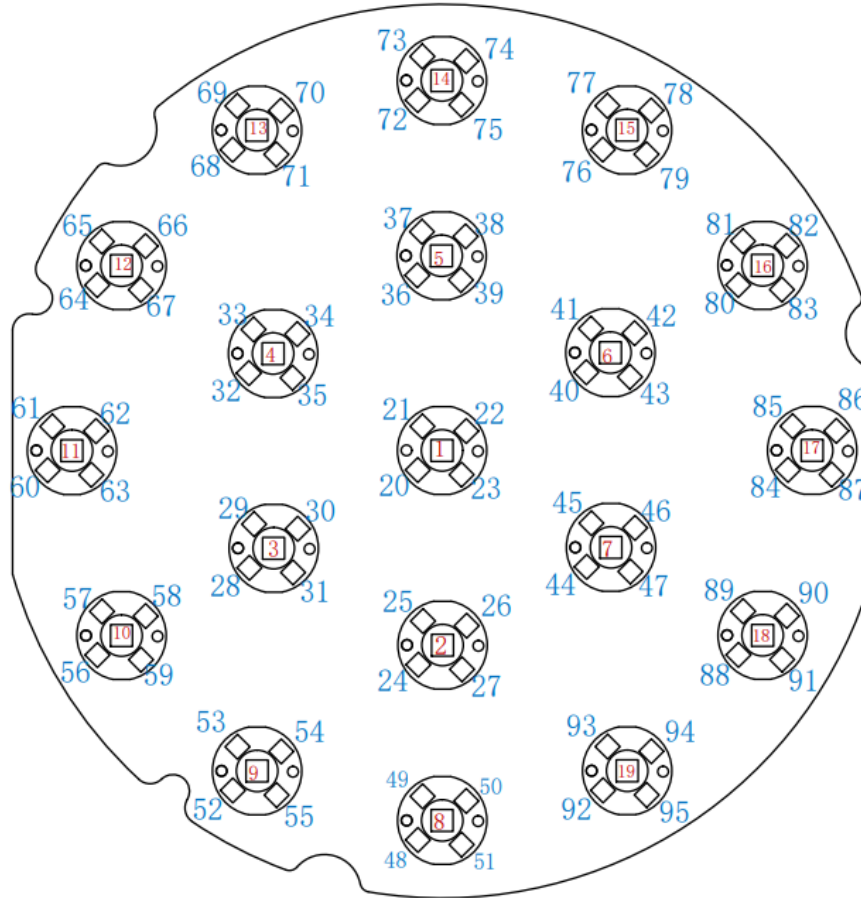
4.SYSTEM MENU

Main Menu	Sub Menu	Option/Value	Option/Value
Address	001		
	...		
	512		
Channel Mode	028CH		
	035CH		
	040CH		
	099CH		
	252CH		
	322CH		
Setting	Control Mode	DMX	
		ArtNet	
		sACN	
		DMX+ArtNet	
		DMX+sACN	
	Dimmer Mode	Linear	
		Square	
		I-Square	
		S-Shape	
	Dimmer Speed	Smooth / Fast	
	Led Frequency	400HZ	
		1200HZ	
		2000HZ	
		4000HZ	
		6000HZ	
		8000HZ	
		16000Hz	
		24000HZ	
	White Balance	R	000-255
		G	000-255
		B	000-255
		L	000-255
	Fan Mode	AUTO	
Silent			

		FULL	
	Calibration	Invert_Pan	NO/YES
		Invert_Tilt	NO/YES
		System Calibration	PAN 001~255
			Tilt 001~255
			Focus 001~255
		Rotate 001~255	
	Language	Chinese	
		English	
	Invert Screen	NO/YES/AUTO	
	Signal Keep	NO/YES	
	Screen Lock	NO/YES	
	Load Default	NO/YES	
Network	Ethernet	IP Mode:CUSTOM	
		IP&Subnet Mask:	002.000.000.001 255.000.000.000
	Universe	Net	0-127
Sub_Uni		0-127	
TiltManual	Pan	000~255	
	Tilt	000~255	
	Zoom	000~255	
	Rotation	000~255	
	Red	000~255	
	Green	000~255	
	Blue	000~255	
	Lime	000~255	
	Spark Red	000~255	
	Spark Green	000~255	
	Spark Blue	000~255	
	Effect	000~255	
	Spark Effect	000~255	
Reset	Reset Effect		
	Reset Scan		
	Rest All		

5.DMX CHART

The pixels are arranged in a grid pattern as illustrated below (RGLB 1-19 / Aura LED 20-95)



28CH (Basic) Mode(Support DMX,ArtNet,sACN)

CH	Value	Function	Description
1CH	0-255	Pan	-270°- 270°
2CH	0-255	Pan Fine	16 bit adjustable
3CH	0-255	Tilt	-105°- 105°
4CH	0-255	Tilt Fine	16 bit adjustable
5CH	0-255	Pan/Tilt speed	fast to slow
6CH	0-255	Zoom	4°- 50°

7CH	0-255	Program Fade	The higher value – heavier fade
8CH	0-255	Lens Rotation	
	0-127	Index	Rotating to specified angle, no constant rotation
	128-191	Clockwise rotate	Inifinite rotation from fast to slow
	192	Stop	
	193-255	Counter-Clockwise rotate	Infinite rotation from slow to fast
9CH	0-255	Reset	The value must stop for 5 seconds to make Effect
	0-10	No effect	Menu set, no change
	11-16	Dimmer smooth	Dimmer menu set to smooth
	17-21	Dimmer Fast	Dimmer menu set to fast
	22-26	LED FREQ	400hz
	27-31		1200hz
	32-36		2000hz
	37-41		4000hz
	42-46		6000hz
	47-51		8000hz
	52-56		16000hz
	57-61		24000hz
	62-200	No Function	
	201-215	Effect motor reset	
	216-230	Pan/Tilt motor reset	
	231-245	Overall reset	
246-255	No Function		
10CH	0-255	Master Dimmer	Dark to light
11CH	0-255	Master Dimmer Fine	
12CH	0-255	60W LED strobe	
	0-5	Open	
	6-55	Synchronous strobe	The larger value, the faster speed
	56-105	Pulse strobe	The larger value, the faster speed
	106-155	Random robe	The larger value, the faster speed
	156-205	Pulse open	The larger value, the faster speed dark to light
	206-255	Pulse close	The larger value, the faster speed light to dark
	0-255	Aura Strobe	

13CH	0-5	Open	
	6-55	Synchronous strobe	The larger value, the faster speed
	56-105	Pulse strobe	The larger value, the faster speed
	106-155	Random robe	The larger value, the faster speed
	156-205	Pulse open	The larger value, the faster speed dark to light
	206-255	Pulse close	The larger value, the faster speed light to dark
14CH	0-255	60W Red	Dark to light
15CH	0-255	60W Green	Dark to light
16CH	0-255	60W Blue	Dark to light
17CH	0-255	60W Lime	Dark to light
18CH	0-255	Aura Master Dimmer	Dark to light
19CH	0-255	Aura Red	Dark to light
20CH	0-255	Aura Green	Dark to light
21CH	0-255	Aura Blue	Dark to light
22CH	0-255	60W Built in program	
	0-15	Off	
	16-21	Program 1	Program color is controlled by 60W color channel
	22-27	Program 2	
	28-33	Program 3	
	34-39	Program 4	
	40-45	Program 5	
	46-51	Program 6	
	52-57	Program 7	
	58-63	Program 8	
	64-69	Program 9	
	70-75	Program 10	
	76-81	Program 11	
	82-87	Program 12	
	88-93	Program 13	
	94-99	Program 14	
	100-105	Program 15	
	106-111	Program 16	
	112-117	Program 17	
	118-123	Program 18	
124-129	Program 19		
130-135	Program 20		

	136-141	Program 21	
	142-147	Program 22	
	148-153	Program 23	
	154-159	Program 24	
	160-165	Program 25	
	166-171	Program 26	
	172-177	Program 27	
	178-183	Program 28	
	184-189	Program 29	
	190-195	Program 30	
	196-201	Program 31	
	202-207	Program 32	
	208-213	Program 33	
	214-219	Program 34	
	220-225	Program 35	
	226-231	Program 36	
	232-237	Program 37	
	238-243	Program 38	
	244-249	Program 39	
	250-255	Auto -built-in programs	Program 39 - Program 1 loop play
23CH	0-255	60W Program Speed	0-127 Index ,128 – stop 129-191 clockwise rotation from fast to slow, 192 stop, 193-255 counterclockwise rotate slow to fast
	0-255	Aura built-in program	Program1-program16
	0-5	/	
24CH	6-20	Program 1	Program controlled by Aura color channel
	21-35	Program 2	
	36-50	Program 3	
	51-65	Program 4	
	66-80	Program 5	
	81-95	Program 6	
	96-110	Program 7	
	111-125	Program 8	
	126-140	Program 9	
	141-155	Program 10	

	156-170	Program 11	
	171-185	Program 12	
	186-200	Program 13	
	201-215	Program 14	
	216-230	Program 15	
	231-245	Program 16	
	246-250	Auto -built-in programs	Program 1-Program 16 loop play
	251-255	Aura control	Aura controlled by Artnet/sACN,
25CH	0-255	Aura program speed	0-127 Index ,128 – stop 129-191 clockwise rotation from fast to slow, 192 stop, 193-255 counterclockwise rotate slow to fast
26CH	0-255	Color Macro	
	0-45	Off	
	46-50	Cyan	R=000,G=255,B=255,L=000
	51-55	Yellow	R=255,G=255,B=000,L=000
	56-60	Magenta	R=255,G=000,B=255,L=000
	61-65	Medium Yellow	R=156,G=126,B=000,L=000
	66-70	Straw Tint	R=152,G=115,B=009,L=000
	71-75	Surprise Peach	R=198,G=114,B=009,L=000
	76-80	Fire	R=255,G=056,B=000,L=000
	81-85	Medium Amber	R=255,G=135,B=000,L=000
	86-90	Gold Amber	R=255,G=100,B=000,L=000
	91-95	Dark Amber	R=255,G=065,B=000,L=000
	96-100	Sunrise Red	R=255,G=083,B=002,L=000
	101-105	Light Pink	R=255,G=112,B=000,L=141
	106-110	Medium Pink	R=255,G=087,B=000,L=107
	111-115	Pink Carnation	R=255,G=107,B=000,L=130
	116-120	Light Lavender	R=243,G=117,B=039,L=197
	121-125	Sky Blue	R=000,G=255,B=135,L=000
	126-130	Just Blue	R=000,G=194,B=130,L=000
	131-135	Dark yellow green	R=041,G=219,B=000,L=000
136-140	Spring Yellow	R=245,G=202,B=000,L=000	
141-145	Light Amber	R=237,G=163,B=000,L=000	
146-150	Straw Tint	R=230,G=160,B=000,L=069	
151-155	Deep Amber	R=255,G=166,B=000,L=000	

	156-160	Orange	R=255,G=122,B=000,L=000
	161-165	Light Rose	R=255,G=141,B=031,L=000
	166-170	Middle Rose	R=217,G=130,B=028,L=000
	171-175	Dark Pink	R=255,G=109,B=033,L=000
	176-180	Magenta	R=255,G=020,B=015,L=000
	181-185	Peacock Blue	R=051,G=255,B=051,L=000
	186-190	Steel Blue	R=206,G=255,B=056,L=000
	191-195	Light Blue	R=074,G=255,B=082,L=000
	196-200	Dark Blue	R=000,G=186,B=255,L=000
	201-205	Leaf Green	R=206,G=255,B=000,L=000
	206-210	Dark Green	R=084,G=255,B=013,L=000
	211-215	Mauve	R=227,G=041,B=056,L=000
	216-220	Deep Golden Amber	R=255,G=058,B=000,L=000
	221-225	Pale Lavender	R=255,G=197,B=061,L=000
	226-230	Primary Green	R=077,G=255,B=000,L=000
	231-235	Bright Blue	R=000,G=255,B=087,L=000
	235-240	Apricot	R=255,G=143,B=013,L=000
	241-245	Pale Gold	R=253,G=171,B=026,L=000
	246-250	Deep Orange	R=222,G=084,B=000,L=000
	251-255	Flame Red	R=255,G=046,B=002,L=000
27CH	0-255	Color temperature preset	Color temperature 8000K-2000K
	0-17	Off light	
	18-34	8000K	R=255,G=182,B=110,L=255
	35-51	7500K	R=255,G=144,B=089,L=255
	52-68	6500K	R=255,G=129,B=081,L=255
	69-85	6000K	R=255,G=121,B=073,L=255
	86-102	5600K	R=255,G=106,B=066,L=255
	103-119	5500K	R=255,G=090,B=055,L=255
	120-136	4500K	R=255,G=071,B=043,L=255
	137-153	4000K	R=255,G=055,B=034,L=255
	154-170	3500K	R=255,G=029,B=024,L=255
	171-187	3200K	R=255,G=011,B=019,L=255
	188-204	3000K	R=255,G=004,B=016,L=255
	205-221	2700K	R=255,G=000,B=009,L=203
	222-238	2500K	R=255,G=000,B=004,L=172
239-255	2000K	R=255,G=000,B=000,L=105	

28CH	0-255	Color Tint Adjust	0 – no change 1-64 magenta shift from low to max, 65-127 magenta shift from max to smallest, 128 no shift, 129 -192 green shift from low to max, 193 – 254 green shift from max to smallest, 255 no shift.
------	-------	-------------------	--

35CH (Effects) Mode(Support DMX/Artnet/sACN)

CH	Value	Function	Description
1CH	0-255	Red	Dark to light
2CH	0-255	Red Fine	16 bit adjustable
3CH	0-255	Green	Dark to light
4CH	0-255	Green Fine	16 bit adjustable
5CH	0-255	Blue	Dark to light
6CH	0-255	Blue Fine	16 bit adjustable
7CH	0-255	Lime	Dark to light
8CH	0-255	Lime Fine	16 bit adjustable
9CH	0-255	CTO	
	0-9	Off	
	10	8000K	
	54	7000K	
	99	6000K	
	117	5600K	
	144	5000K	
	188	4000K	
	224	3200K	
	255	2500K	
10CH	0-255	Color Macro	
	0-9	Off	
	10	Red	
	11	Green	
	12	Blue	
	13	Cyan	
	14	Yellow	
	15	Magenta	
	16	7000K	

17	3700K
18	5000K
19	Black
20-22	Medium Yellow
23-26	Straw Tint
27-28	Surprise Peach
29	Fire
30	Medium Amber
31	Gold Amber
32-34	Dark Amber
35-44	Sunrise Red
45	Light Pink
46-48	Medium Pink
49-61	Pink Carnation
62-67	Light Lavender
68-77	Lavender
78-88	Sky Blue
89-99	Just Blue
100-109	Dark Yellow Green
110-111	Spring Yellow
112	Light Amber
113	Straw
114	Deep Amber
115-116	Orange
117	Light Rose
118	English Rose
119	Light Salmon
120	Middle Rose
121-122	Dark Pink
123-124	Magenta
125	Peacock Blue
126	Med Blue Green
127	Steel Blue
128	Light Blue
129-130	Dark Blue
131-133	Leaf Green

	134-135	Dark Green	
	136-137	Mauve	
	138-141	Bright Pink	
	142-144	Medium Blue	
	145	Deep Golden Amber	
	146	Pale Lavender	
	147-148	Special Lavender	
	149-150	Primary Green	
	151-156	Bright Blue	
	157-161	Apricot	
	162-167	Pale Gold	
	168-171	Deep Orange	
	172-173	Bastard Amber	
	174	Flame Red	
	175-178	Daylight Blue	
	179	Lilac Tint	
	180-183	Deep Lavender	
	184-190	Dark Steel Blue	
	191-206	Congo Blue	
	207	Alice Blue	
	208	Dirty White	
	209-255	White	
11CH	0-255	Strobe	
	0-3	Closed	
	4-103	Strobe S>F	The larger value, the faster speed
	104-107	Open	
	108-207	Pulse S>F	The larger value, the faster speed
	208-212	Open	
	213-251	Random S>F	The larger value, the faster speed
	252-255	Open	
12CH	0-255	Dimmer	Dark to light
13CH	0-255	Dimmer Fine	16 bit adjustable
14CH	0-255	Pan	-270°- 270°
15CH	0-255	Pan Fine	16 bit adjustable
16CH	0-255	Tilt	-105°- 105°
17CH	0-255	Tilt Fine	16 bit adjustable

18CH	0-255	Function	
19CH	0-255	Reset	
	0-25	No Function	
	26-76	Zoom Reset	
	77-127	P/T Reset	
	128-255	Total Reset	
20CH	0-255	Zoom	4°- 50°
21CH	0-255	Lens Rot	
	0-127	Index	Index (rotating to specified angle, no constant rotation)
	128-190	CW F>S	Inifinite rotation from fast to slow
	191-192	Stop	
	193-255	CCW S>F	Inifinite rotation from slow to slow
22CH	0-255	Built in program	Program controlled by Program color channel
	0-7	Off	
	8	Program 1	
	9	Program 2	
	10	Program 3	
	11	Program 4	
	12	Program 5	
	13	Program 6	
	14	Program 7	
	15	Program 8	
	16	Program 9	
	17	Program 10	
	18	Program 11	
	19	Program 12	
	20	Program 13	
	21	Program 14	
	22	Program 15	
	23	Program 16	
	24	Program 17	
	25	Program 18	
	26	Program 19	
	27	Program 20	
28	Program 21		
29	Program 22		

30	Program 23
31	Program 24
32	Program 25
33	Program 26
34	Program 27
35	Program 28
36	Program 29
37	Program 30
38	Program 31
39	Program 32
40	Program 33
41	Program 34
42	Program 35
43	Program 36
44	Program 37
45	Program 38
46	Program 39
47	Program 40
48	Program 41
49	Program 42
50	Program 43
51	Program 44
52	Program 45
53	Program 46
54	Program 47
55	Program 48
56	Program 49
57	Program 50
58	Program 51
59	Program 52
60	Program 53
61	Program 54
62	Program 55
63	Program 56
64	Program 57
65	Program 58

	66	Program 59	
	67	Program 60	
	68	Program 61	
	69	Program 62	
	70	Program 63	
	71-255	Program Off	
23CH	0-255	Program Speed	Animation frame by frame
	0-63	Index	
	64-158	CW F>S	
	159-160	Stop	
	161-255	CCW S>F	
24CH	0-255	Program Fade	The higher value – heavier fade
	0-15	Snap effect	
	16-255	Fade effect	
25CH	0-255	Program Red	Dark to light
26CH	0-255	Program Green	Dark to light
27CH	0-255	Program Blue	Dark to light
28CH	0-255	Program Lime	Dark to light
29CH	0-255	Program Dimmer	Dark to light
30CH	0-255	Background Dimmer	Dark to light
31CH	0-255	Program Transition	
32CH	0-255	Program Offset	
33CH	0-255	Program Strobe	The larger value, the faster speed
	0-3	Closed	
	4-103	Strobe S>F	
	104-107	Open	
	108-207	Pulse S>F	
	208-212	Open	
	213-251	Random S>F	
252-255	Open		
34CH	0-255	Background Strobe	The larger value, the faster speed
	0-3	Closed	
	4-103	Strobe S>F	
	104-107	Open	
	108-207	Pulse S>F	
	208-212	Open	

	213-251	Random S>F	The larger value, the faster speed
	252-255	Open	
35CH	0-255	Background Select	
	0-7	Off	
	8-23	Background rings selection	
	24-255	Off	

40CH (Rings) Mode(Support DMX/Artnet/sACN)

CH	Value	Function	Description
1CH	0-255	Pan	-270°- 270°
2CH	0-255	Pan Fine	16 bit adjustable
3CH	0-255	Tilt	-105°- 105°
4CH	0-255	Tilt Fine	16 bit adjustable
5CH	0-255	Pan/Tilt speed	fast to slow
6CH	0-255	Zoom	4°- 50°
7CH	0-255	Program Fade	The higher value – heavier fade
8CH	0-255	Lens Rotation	
	0-127	Index	Rotating to specified angle, no constant rotation
	128-191	Clockwise rotate	Inifinite rotation from fast to slow
	192	Stop	
	193-255	Counter-Clockwise rotate	Infinite rotation from slow to fast
9CH	0-255	Reset	Same as 28CH
10CH	0-255	Master Dimmer	Dark to light
11CH	0-255	Master Dimmer Fine	
12CH	0-255	60W LED strobe	
	0-5	Open	
	6-55	Synchronous strobe	The larger value, the faster speed
	56-105	Pulse strobe	The larger value, the faster speed
	106-155	Random strobe	The larger value, the faster speed
	156-205	Pulse open	The larger value, the faster speed dark to light
	206-255	Pulse close	The larger value, the faster speed light to dark

13CH	0-255	Aura Master Dimmer	Dark to light
14CH	0-255	Aura Strobe	
	0-5	Open	
	6-55	Synchronous strobe	The larger value, the faster speed
	56-105	Pulse strobe	The larger value, the faster speed
	106-155	Random robe	The larger value, the faster speed
	156-205	Pulse open	The larger value, the faster speed dark to light
	206-255	Pulse close	The larger value, the faster speed light to dark
15CH	0-255	60W Built in program	Controlled by program color channels
	0-15	Off	
	16-21	Program 1	
	22-27	Program 2	
	28-33	Program 3	
	34-39	Program 4	
	40-45	Program 5	
	46-51	Program 6	
	52-57	Program 7	
	58-63	Program 8	
	64-69	Program 9	
	70-75	Program 10	
	76-81	Program 11	
	82-87	Program 12	
	88-93	Program 13	
	94-99	Program 14	
	100-105	Program 15	
	106-111	Program 16	
	112-117	Program 17	
	118-123	Program 18	
	124-129	Program 19	
	130-135	Program 20	
	136-141	Program 21	
	142-147	Program 22	
	148-153	Program 23	
	154-159	Program 24	
160-165	Program 25		
166-171	Program 26		

	172-177	Program 27	
	178-183	Program 28	
	184-189	Program 29	
	190-195	Program 30	
	196-201	Program 31	
	202-207	Program 32	
	208-213	Program 33	
	214-219	Program 34	
	220-225	Program 35	
	226-231	Program 36	
	232-237	Program 37	
	238-243	Program 38	
	244-249	Program 39	
	250-255	Auto -built-in programs	Program 39 - Program 1 loop play
16CH	0-255	60W Program Speed	0-127 Index ,128 – stop 129-191 clockwise rotation from fast to slow, 192 stop, 193-255 counterclockwise rotate slow to fast
17CH	0-255	Color temperature preset	Color temperature 8000K-2000K
	0-17	Off light	
	18-34	8000K	R=255,G=182,B=110,L=255
	35-51	7500K	R=255,G=144,B=089,L=255
	52-68	6500K	R=255,G=129,B=081,L=255
	69-85	6000K	R=255,G=121,B=073,L=255
	86-102	5600K	R=255,G=106,B=066,L=255
	103-119	5500K	R=255,G=090,B=055,L=255
	120-136	4500K	R=255,G=071,B=043,L=255
	137-153	4000K	R=255,G=055,B=034,L=255
	154-170	3500K	R=255,G=029,B=024,L=255
	171-187	3200K	R=255,G=011,B=019,L=255
	188-204	3000K	R=255,G=004,B=016,L=255
	205-221	2700K	R=255,G=000,B=009,L=203
222-238	2500K	R=255,G=000,B=004,L=172	
239-255	2000K	R=255,G=000,B=000,L=105	
18CH	0-255	Color Tint Adjust	0 – no change 1-64 magenta shift from low to max, 65-127 magenta shift from max to smallest, 128 no shift, 129 -192 green shift from low to max, 193 – 254 green shift from max to

			smallest, 255 no shift.
19CH	0-255	Color Macro	
	0-45	Off	
	46-50	Cyan	R=000,G=255,B=255,L=000
	51-55	Yellow	R=255,G=255,B=000,L=000
	56-60	Magenta	R=255,G=000,B=255,L=000
	61-65	Medium Yellow	R=156,G=126,B=000,L=000
	66-70	Straw Tint	R=152,G=115,B=009,L=000
	71-75	Surprise Peach	R=198,G=114,B=009,L=000
	76-80	Fire	R=255,G=056,B=000,L=000
	81-85	Medium Amber	R=255,G=135,B=000,L=000
	86-90	Gold Amber	R=255,G=100,B=000,L=000
	91-95	Dark Amber	R=255,G=065,B=000,L=000
	96-100	Sunrise Red	R=255,G=083,B=002,L=000
	101-105	Light Pink	R=255,G=112,B=000,L=141
	106-110	Medium Pink	R=255,G=087,B=000,L=107
	111-115	Pink Carnation	R=255,G=107,B=000,L=130
	116-120	Light Lavender	R=243,G=117,B=039,L=197
	121-125	Sky Blue	R=000,G=255,B=135,L=000
	126-130	Just Blue	R=000,G=194,B=130,L=000
	131-135	Dark yellow green	R=041,G=219,B=000,L=000
	136-140	Spring Yellow	R=245,G=202,B=000,L=000
	141-145	Light Amber	R=237,G=163,B=000,L=000
	146-150	Straw Tint	R=230,G=160,B=000,L=069
	151-155	Deep Amber	R=255,G=166,B=000,L=000
	156-160	Orange	R=255,G=122,B=000,L=000
	161-165	Light Rose	R=255,G=141,B=031,L=000
	166-170	Middle Rose	R=217,G=130,B=028,L=000
	171-175	Dark Pink	R=255,G=109,B=033,L=000
	176-180	Magenta	R=255,G=020,B=015,L=000
	181-185	Peacock Blue	R=051,G=255,B=051,L=000
186-190	Steel Blue	R=206,G=255,B=056,L=000	
191-195	Light Blue	R=074,G=255,B=082,L=000	
196-200	Dark Blue	R=000,G=186,B=255,L=000	
201-205	Leaf Green	R=206,G=255,B=000,L=000	
206-210	Dark Green	R=084,G=255,B=013,L=000	

	211-215	Mauve	R=227,G=041,B=056,L=000
	216-220	Deep Golden Amber	R=255,G=058,B=000,L=000
	221-225	Pale Lavender	R=255,G=197,B=061,L=000
	226-230	Primary Green	R=077,G=255,B=000,L=000
	231-235	Bright Blue	R=000,G=255,B=087,L=000
	235-240	Apricot	R=255,G=143,B=013,L=000
	241-245	Pale Gold	R=253,G=171,B=026,L=000
	246-250	Deep Orange	R=222,G=084,B=000,L=000
	251-255	Flame Red	R=255,G=046,B=002,L=000
20CH	0-255	Aura Red	Dark to light
21CH	0-255	Aura Green	Dark to light
22CH	0-255	Aura Blue	Dark to light
23CH	0-255	Aura built-in program	Program1-program16
	0-5	Off	
	6-20	Program 1	Program controlled by Aura color channel
	21-35	Program 2	
	36-50	Program 3	
	51-65	Program 4	
	66-80	Program 5	
	81-95	Program 6	
	96-110	Program 7	
	111-125	Program 8	
	126-140	Program 9	
	141-155	Program 10	
	156-170	Program 11	
	171-185	Program 12	
	186-200	Program 13	
	201-215	Program 14	
	216-230	Program 15	
231-245	Program 16		
	246-250	Auto -built-in programs	Program 1-Program 16 loop play
	251-255	Aura control	Aura controlled by Artnet/sACN,
24CH	0-255	Aura program speed	0-127 Index 128 – stop 129-191 clockwise rotation from fast to slow, 192 stop, 193 -255 counterclockwise rotate slow to fast
25CH	0-255	Center LED Red	Dark to light

26CH	0-255	Center Green	Dark to light
27CH	0-255	Center Blue	Dark to light
28CH	0-255	Center Lime	Dark to light
29CH	0-255	Ring 1 Red	Dark to light
30CH	0-255	Ring 1 Green	Dark to light
31CH	0-255	Ring 1 Blue	Dark to light
32CH	0-255	Ring 1 Lime	Dark to light
33CH	0-255	Ring 2 Red	Dark to light
34CH	0-255	Ring 2 Green	Dark to light
35CH	0-255	Ring 2 Blue	Dark to light
36CH	0-255	Ring 2 Lime	Dark to light
37CH	0-255	Program Red	Dark to light
38CH	0-255	Program Green	Dark to light
39CH	0-255	Program Blue	Dark to light
40CH	0-255	Program Lime	Dark to light

99CH (Pixelmap) Mode(Support DMX/Artnet/sACN)

When you use DMX+Artnet mode, the 1-23CH are controlled by DMX protocol

CH	Value	Function	Description
1CH	0-255	Pan	-270°- 270°
2CH	0-255	Pan Fine	16 bit adjustable
3CH	0-255	Tilt	-105°- 105°
4CH	0-255	Tilt Fine	16 bit adjustable
5CH	0-255	Pan/Tilt speed	Fast to slow
6CH	0-255	Zoom	4°- 50°
7CH	0-255	Zoom Fine	16 bit adjustable
8CH	0-255	Lens Rotation	
	0-127	Index	Rotating to specified angle, no constant rotation
	128-191	Clockwise rotate	Infinite rotation from fast to slow
	192	Stop	
	193-255	Counter-Clockwise rotate	Infinite rotation from slow to fast
9CH	0-255	Reset	Same as 28CH
10CH	0-255	Aura master dimming	Dark to light
11CH	0-255	Aura dimmer Fine	
12CH	0-255	Aura Strobe	
	0-5	Open	
	6-55	Synchronous strobe	The larger value, the faster speed
	56-105	Pulse strobe	The larger value, the faster speed
	106-155	Random robe	The larger value, the faster speed
	156-205	Pulse open	The larger value, the faster speed Dark to light
	206-255	Pulse close	The larger value, the faster speed Light to dark
13CH	0-255	Aura Red	Dark to light
14CH	0-255	Aura Green	Dark to light
15CH	0-255	Aura Blue	Dark to light
16CH	0-255	Aura built-in program	Program1- program16
	0-5	Off	
	6-20	Program 1	Program controlled by Aura color channel
	21-35	Program 2	
	36-50	Program 3	
	51-65	Program 4	
	66-80	Program 5	
81-95	Program 6		

	96-110	Program 7	
	111-125	Program 8	
	126-140	Program 9	
	141-155	Program 10	
	156-170	Program 11	
	171-185	Program 12	
	186-200	Program 13	
	201-215	Program 14	
	216-230	Program 15	
	231-245	Program 16	
	246-250	Auto -built-in programs	Program 1-Program 16 loop play
	251-255	Aura control	Aura controlled by Artnet/sACN, 28x RGB pixel
17CH	0-255	Aura program speed	0-127 Index 128 – stop 129-191 clockwise rotation from fast to slow, 192 stop, 193 -255 counterclockwise rotate slow to fast
18CH	0-255	60W Dimmer	Dark to light
19CH	0-255	60W Dimmer Fine	
20CH	0-255	60W Strobe	
	0-5	Open	
	6-55	Synchronous strobe	The larger value, the faster speed
	56-105	Pulse strobe	The larger value, the faster speed
	106-155	Random robe	The larger value, the faster speed
	156-205	Pulse open	The larger value, the faster speed Dark to light
	206-255	Pulse close	The larger value, the faster speed Light to dark
21CH	0-255	Color Macro	
	0-45	Macro Off	
	46-50	Cyan	R=000,G=255,B=255,L=000
	51-55	Yellow	R=255,G=255,B=000,L=000
	56-60	Magenta	R=255,G=000,B=255,L=000
	61-65	Medium Yellow	R=156,G=126,B=000,L=000
	66-70	Straw Tint	R=152,G=115,B=009,L=000
	71-75	Surprise Peach	R=198,G=114,B=009,L=000
	76-80	Fire	R=255,G=056,B=000,L=000
	81-85	Medium Amber	R=255,G=135,B=000,L=000
	86-90	Gold Amber	R=255,G=100,B=000,L=000
	91-95	Dark Amber	R=255,G=065,B=000,L=000
	96-100	Sunrise Red	R=255,G=083,B=002,L=000

	101-105	Light Pink	R=255,G=112,B=000,L=141
	106-110	Medium Pink	R=255,G=087,B=000,L=107
	111-115	Pink Carnation	R=255,G=107,B=000,L=130
	116-120	Light Lavender	R=243,G=117,B=039,L=197
	121-125	Sky Blue	R=000,G=255,B=135,L=000
	126-130	Just Blue	R=000,G=194,B=130,L=000
	131-135	Dark yellow green	R=041,G=219,B=000,L=000
	136-140	Spring Yellow	R=245,G=202,B=000,L=000
	141-145	Light Amber	R=237,G=163,B=000,L=000
	146-150	Straw Tint	R=230,G=160,B=000,L=069
	151-155	Deep Amber	R=255,G=166,B=000,L=000
	156-160	Orange	R=255,G=122,B=000,L=000
	161-165	Light Rose	R=255,G=141,B=031,L=000
	166-170	Middle Rose	R=217,G=130,B=028,L=000
	171-175	Dark Pink	R=255,G=109,B=033,L=000
	176-180	Magenta	R=255,G=020,B=015,L=000
	181-185	Peacock Blue	R=051,G=255,B=051,L=000
	186-190	Steel Blue	R=206,G=255,B=056,L=000
	191-195	Light Blue	R=074,G=255,B=082,L=000
	196-200	Dark Blue	R=000,G=186,B=255,L=000
	201-205	Leaf Green	R=206,G=255,B=000,L=000
	206-210	Dark Green	R=084,G=255,B=013,L=000
	211-215	Mauve	R=227,G=041,B=056,L=000
	216-220	Deep Golden Amber	R=255,G=058,B=000,L=000
	221-225	Pale Lavender	R=255,G=197,B=061,L=000
	226-230	Primary Green	R=077,G=255,B=000,L=000
	231-235	Bright Blue	R=000,G=255,B=087,L=000
	235-240	Apricot	R=255,G=143,B=013,L=000
	241-245	Pale Gold	R=253,G=171,B=026,L=000
	246-250	Deep Orange	R=222,G=084,B=000,L=000
	251-255	Flame Red	R=255,G=046,B=002,L=000
22CH	0-255	Color temperature preset	Color temperature 8000K-2000K
	0-17	Off light	
	18-34	8000K	R=255,G=182,B=110,L=255
	35-51	7500K	R=255,G=144,B=089,L=255
	52-68	6500K	R=255,G=129,B=081,L=255
	69-85	6000K	R=255,G=121,B=073,L=255

	86-102	5600K	R=255,G=106,B=066,L=255
	103-119	5500K	R=255,G=090,B=055,L=255
	120-136	4500K	R=255,G=071,B=043,L=255
	137-153	4000K	R=255,G=055,B=034,L=255
	154-170	3500K	R=255,G=029,B=024,L=255
	171-187	3200K	R=255,G=011,B=019,L=255
	188-204	3000K	R=255,G=004,B=016,L=255
	205-221	2700K	R=255,G=000,B=009,L=203
	222-238	2500K	R=255,G=000,B=004,L=172
	239-255	2000K	R=255,G=000,B=000,L=105
23CH	0-255	Color Tint Adjust	0 – no change 1-64 magenta shift from low to max, 65-127 magenta shift from max to smallest, 128 no shift, 129 -192 green shift from low to max, 193 – 254 green shift from max to smallest, 255 no shift.
24CH	0-255	LED 1 Red	Dark to light
25CH	0-255	LED 1 Green	Dark to light
26CH	0-255	LED 1 Blue	Dark to light
27CH	0-255	LED 1 Lime	Dark to light
....
....
96CH	0-255	LED 19 Red	Dark to light
97CH	0-255	LED 19 Green	Dark to light
98CH	0-255	LED 19 Blue	Dark to light
99CH	0-255	LED 19 Lime	Dark to light

252CH (Pixelmap) Mode (Support DMX/Artnet/sACN)

When you use DMX+Artnet mode, the 1-24CH are controlled by DMX protocol

CH	Value	Function	Description
1CH	0-255	Pan	-270°- 270°
2CH	0-255	Pan Fine	16 bit adjustable
3CH	0-255	Tilt	-105°- 105°
4CH	0-255	Tilt Fine	16 bit adjustable
5CH	0-255	Pan/Tilt Motor speed	fast to slow
6CH	0-255	Zoom	4°- 50°
7CH	0-255	Program Fade	The higher value – heavier fade
8CH	0-255	Lens Rotation	
	0-127	Index	Rotating to specified angle, no constant rotation
	128-191	Clockwise rotate	Inifinite rotation from fast to slow
	192	Stop	
	193-255	Counter-Clockwise rotate	Inifinite rotation from slow to fast
9CH	0-255	Reset	Same as 28CH
10CH	0-255	60W Master Dimmer	
11CH	0-255	60W Dimmer Fine	
12CH	0-255	60W Strobe	
	0-5	Open	
	6-55	Synchronous strobe	The larger value, the faster speed
	56-105	Pulse strobe	The larger value, the faster speed
	106-155	Random robe	The larger value, the faster speed
	156-205	Pulse open	The larger value, the faster speed dark to light
	206-255	Pulse close	The larger value, the faster speed light to dark
13CH	0-255	60W Red	Dark to light
14CH	0-255	60W Green	Dark to light
15CH	0-255	60W Blue	Dark to light
16CH	0-255	60W Lime	Dark to light
	0-255	60W Built in program	
	0-15	Off	
	16-21	Program 1	Program color is controlled by 60W color channel
	22-27	Program 2	
	28-33	Program 3	

15CH	34-39	Program 4	
	40-45	Program 5	
	46-51	Program 6	
	52-57	Program 7	
	58-63	Program 8	
	64-69	Program 9	
	70-75	Program 10	
	76-81	Program 11	
	82-87	Program 12	
	88-93	Program 13	
	94-99	Program 14	
	100-105	Program 15	
	106-111	Program 16	
	112-117	Program 17	
	118-123	Program 18	
	124-129	Program 19	
	130-135	Program 20	
	136-141	Program 21	
	142-147	Program 22	
	148-153	Program 23	
	154-159	Program 24	
	160-165	Program 25	
	166-171	Program 26	
	172-177	Program 27	
	178-183	Program 28	
	184-189	Program 29	
	190-195	Program 30	
	196-201	Program 31	
	202-207	Program 32	
	208-213	Program 33	
214-219	Program 34		
220-225	Program 35		
226-231	Program 36		
232-237	Program 37		
238-243	Program 38		
244-249	Program 39		
	250-255	Auto -built-in programs	Program 39 - Program 1 loop play
18CH	0-255	60W Program Speed	0-127 Index 128 – stop 129-191 clockwise

			rotation from fast to slow, 192 stop, 193 -255 counterclockwise rotate slow to fast
19CH	0-255	Color Macro	
	0-45	Macro Off	
	46-50	Cyan	R=000,G=255,B=255,L=000
	51-55	Yellow	R=255,G=255,B=000,L=000
	56-60	Magenta	R=255,G=000,B=255,L=000
	61-65	Medium Yellow	R=156,G=126,B=000,L=000
	66-70	Straw Tint	R=152,G=115,B=009,L=000
	71-75	Surprise Peach	R=198,G=114,B=009,L=000
	76-80	Fire	R=255,G=056,B=000,L=000
	81-85	Medium Amber	R=255,G=135,B=000,L=000
	86-90	Gold Amber	R=255,G=100,B=000,L=000
	91-95	Dark Amber	R=255,G=065,B=000,L=000
	96-100	Sunrise Red	R=255,G=083,B=002,L=000
	101-105	Light Pink	R=255,G=112,B=000,L=141
	106-110	Medium Pink	R=255,G=087,B=000,L=107
	111-115	Pink Carnation	R=255,G=107,B=000,L=130
	116-120	Light Lavender	R=243,G=117,B=039,L=197
	121-125	Sky Blue	R=000,G=255,B=135,L=000
	126-130	Just Blue	R=000,G=194,B=130,L=000
	131-135	Dark yellow green	R=041,G=219,B=000,L=000
	136-140	Spring Yellow	R=245,G=202,B=000,L=000
	141-145	Light Amber	R=237,G=163,B=000,L=000
	146-150	Straw Tint	R=230,G=160,B=000,L=069
	151-155	Deep Amber	R=255,G=166,B=000,L=000
	156-160	Orange	R=255,G=122,B=000,L=000
	161-165	Light Rose	R=255,G=141,B=031,L=000
	166-170	Middle Rose	R=217,G=130,B=028,L=000
	171-175	Dark Pink	R=255,G=109,B=033,L=000
	176-180	Magenta	R=255,G=020,B=015,L=000
	181-185	Peacock Blue	R=051,G=255,B=051,L=000
186-190	Steel Blue	R=206,G=255,B=056,L=000	
191-195	Light Blue	R=074,G=255,B=082,L=000	
196-200	Dark Blue	R=000,G=186,B=255,L=000	
201-205	Leaf Green	R=206,G=255,B=000,L=000	
206-210	Dark Green	R=084,G=255,B=013,L=000	
211-215	Mauve	R=227,G=041,B=056,L=000	

	216-220	Deep Golden Amber	R=255,G=058,B=000,L=000
	221-225	Pale Lavender	R=255,G=197,B=061,L=000
	226-230	Primary Green	R=077,G=255,B=000,L=000
	231-235	Bright Blue	R=000,G=255,B=087,L=000
	235-240	Apricot	R=255,G=143,B=013,L=000
	241-245	Pale Gold	R=253,G=171,B=026,L=000
	246-250	Deep Orange	R=222,G=084,B=000,L=000
	251-255	Flame Red	R=255,G=046,B=002,L=000
20CH	0-255	Color temperature preset	Color temperature 8000K-2000K
	0-17	Off light	
	18-34	8000K	R=255,G=182,B=110,L=255
	35-51	7500K	R=255,G=144,B=089,L=255
	52-68	6500K	R=255,G=129,B=081,L=255
	69-85	6000K	R=255,G=121,B=073,L=255
	86-102	5600K	R=255,G=106,B=066,L=255
	103-119	5500K	R=255,G=090,B=055,L=255
	120-136	4500K	R=255,G=071,B=043,L=255
	137-153	4000K	R=255,G=055,B=034,L=255
	154-170	3500K	R=255,G=029,B=024,L=255
	171-187	3200K	R=255,G=011,B=019,L=255
	188-204	3000K	R=255,G=004,B=016,L=255
	205-221	2700K	R=255,G=000,B=009,L=203
222-238	2500K	R=255,G=000,B=004,L=172	
239-255	2000K	R=255,G=000,B=000,L=105	
21CH	0-255	Color Tint Adjust	0 – no change 1-64 magenta shift from low to max, 65-127 magenta shift from max to smallest, 128 no shift, 129 -192 green shift from low to max, 193 – 254 green shift from max to smallest, 255 no shift.
22CH	0-255	Aura master dimming	Dark to Light
23CH	0-255	Aura master Dimming fine	Dark to Light
24CH	0-255	Aura Strobe	
	0-5	Open	
	6-55	Synchronous strobe	The larger value, the faster speed
	56-105	Pulse strobe	The larger value, the faster speed
	106-155	Random robe	The larger value, the faster speed
	156-205	Pulse open	The larger value, the faster speed Dark to light
	206-255	Pulse close	The larger value, the faster speed Light to dark

25CH	0-255	LED 20 Red	Dark to light
26CH	0-255	LED 20 Green	Dark to light
27CH	0-255	LED 20 Blue	Dark to light
....
....
....
250CH	0-255	LED 95 Red	Dark to light
251CH	0-255	LED 95 Green	Dark to light
252CH	0-255	LED 95 Blue	Dark to light

322CH (Full pixel) Mode (Support DMX/Artnet/sACN)

When you use DMX+Artnet mode, the 1-24CH are controlled by DMX protocol

CH	Value	Function	Description
1CH	0-255	Pan	-270°- 270°
2CH	0-255	Pan Fine	16 bit adjustable
3CH	0-255	Tilt	-105°- 105°
4CH	0-255	Tilt Fine	16 bit adjustable
5CH	0-255	Pan/Tilt Motor Speed	fast to slow
6CH	0-255	Zoom	4°- 50°
7CH	0-255	Zoom Fine	
8CH	0-255	Lens Rotation	
	0-127	Index	Rotating to specified angle, no constant rotation
	128-191	Clockwise rotate	Inifinite rotation from fast to slow
	192	Stop	
	193-255	Counter-Clockwise rotate	Infinite rotation from slow to fast
9CH	0-255	Reset	Same as 28CH
10CH	0-255	60W Dimmer	Dark to light
11CH	0-255	60W Dimmer fine	Dark to light
12CH	0-255	60W Strobe	
	0-5	Open	
	6-55	Synchronous strobe	The larger value, the faster speed
	56-105	Pulse strobe	The larger value, the faster speed
	106-155	Random strobe	The larger value, the faster speed
	156-205	Pulse open	The larger value, the faster speed dark to light
	206-255	Pulse close	The larger value, the faster speed light to dark
13CH	0-255	Aura Master Dimmer	Dark to light
14CH	0-255	Aura Master Dimmer Fine	Dark to light
15CH	0-255	Aura Strobe	
	0-5	Open	
	6-55	Synchronous strobe	The larger value, the faster speed
	56-105	Pulse strobe	The larger value, the faster speed
	106-155	Random robe	The larger value, the faster speed
	156-205	Pulse open	The larger value, the faster speed dark to light

	206-255	Pulse close	The larger value, the faster speed Light to dark
16CH	0-255	Color Macro	
	0-45	Macro Off	
	46-50	Cyan	R=000,G=255,B=255,L=000
	51-55	Yellow	R=255,G=255,B=000,L=000
	56-60	Magenta	R=255,G=000,B=255,L=000
	61-65	Medium Yellow	R=156,G=126,B=000,L=000
	66-70	Straw Tint	R=152,G=115,B=009,L=000
	71-75	Surprise Peach	R=198,G=114,B=009,L=000
	76-80	Fire	R=255,G=056,B=000,L=000
	81-85	Medium Amber	R=255,G=135,B=000,L=000
	86-90	Gold Amber	R=255,G=100,B=000,L=000
	91-95	Dark Amber	R=255,G=065,B=000,L=000
	96-100	Sunrise Red	R=255,G=083,B=002,L=000
	101-105	Light Pink	R=255,G=112,B=000,L=141
	106-110	Medium Pink	R=255,G=087,B=000,L=107
	111-115	Pink Carnation	R=255,G=107,B=000,L=130
	116-120	Light Lavender	R=243,G=117,B=039,L=197
	121-125	Sky Blue	R=000,G=255,B=135,L=000
	126-130	Just Blue	R=000,G=194,B=130,L=000
	131-135	Dark yellow green	R=041,G=219,B=000,L=000
	136-140	Spring Yellow	R=245,G=202,B=000,L=000
	141-145	Light Amber	R=237,G=163,B=000,L=000
	146-150	Straw Tint	R=230,G=160,B=000,L=069
	151-155	Deep Amber	R=255,G=166,B=000,L=000
	156-160	Orange	R=255,G=122,B=000,L=000
	161-165	Light Rose	R=255,G=141,B=031,L=000
	166-170	Middle Rose	R=217,G=130,B=028,L=000
	171-175	Dark Pink	R=255,G=109,B=033,L=000
	176-180	Magenta	R=255,G=020,B=015,L=000
	181-185	Peacock Blue	R=051,G=255,B=051,L=000
186-190	Steel Blue	R=206,G=255,B=056,L=000	
191-195	Light Blue	R=074,G=255,B=082,L=000	
196-200	Dark Blue	R=000,G=186,B=255,L=000	
201-205	Leaf Green	R=206,G=255,B=000,L=000	
206-210	Dark Green	R=084,G=255,B=013,L=000	

	211-215	Mauve	R=227,G=041,B=056,L=000
	216-220	Deep Golden Amber	R=255,G=058,B=000,L=000
	221-225	Pale Lavender	R=255,G=197,B=061,L=000
	226-230	Primary Green	R=077,G=255,B=000,L=000
	231-235	Bright Blue	R=000,G=255,B=087,L=000
	235-240	Apricot	R=255,G=143,B=013,L=000
	241-245	Pale Gold	R=253,G=171,B=026,L=000
	246-250	Deep Orange	R=222,G=084,B=000,L=000
	251-255	Flame Red	R=255,G=046,B=002,L=000
17Ch	0-255	Color temperature preset	Color temperature 8000K-2000K
	0-17	Off light	
	18-34	8000K	R=255,G=182,B=110,L=255
	35-51	7500K	R=255,G=144,B=089,L=255
	52-68	6500K	R=255,G=129,B=081,L=255
	69-85	6000K	R=255,G=121,B=073,L=255
	86-102	5600K	R=255,G=106,B=066,L=255
	103-119	5500K	R=255,G=090,B=055,L=255
	120-136	4500K	R=255,G=071,B=043,L=255
	137-153	4000K	R=255,G=055,B=034,L=255
	154-170	3500K	R=255,G=029,B=024,L=255
	171-187	3200K	R=255,G=011,B=019,L=255
	188-204	3000K	R=255,G=004,B=016,L=255
	205-221	2700K	R=255,G=000,B=009,L=203
	222-238	2500K	R=255,G=000,B=004,L=172
239-255	2000K	R=255,G=000,B=000,L=105	
18Ch	0-255	Color Tint Adjust	0 – no change 1-64 magenta shift from low to max, 65-127 magenta shift from max to smallest, 128 no shift, 129 -192 green shift from low to max, 193 – 254 green shift from max to smallest, 255 no shift.
19CH	0-255	LED 1 Red	Dark to light
20CH	0-255	LED 1 Green	Dark to light
21CH	0-255	LED 1 Blue	Dark to light
22CH	0-255	LED 1 Lime	Dark to light
....
....
....

....
91CH	0-255	LED 19 Red	Dark to light
92CH	0-255	LED 19 Green	Dark to light
93CH	0-255	LED 19 Blue	Dark to light
94CH	0-255	LED 19 Lime	Dark to light
95CH	0-255	LED 20 Red	Dark to light
96CH	0-255	LED 20 Green	Dark to light
97CH	0-255	LED 20 Blue	Dark to light
....
....
....
320CH	0-255	LED 95 Red	Dark to light
321CH	0-255	LED 95 Green	Dark to light
322CH	0-255	LED 95 Blue	Dark to light

6.SPECIFICATIONS

CONSTRUCTION/PHYSICAL

Dimensions:514x430x280mm

Weight: 23 Kg

Exterior Color: Black

Housing Material: Magnesium-aluminum die-casting +aluminum profile

DYNAMIC EFFECTS

Dimmer: Electronic

Shutter/Strobe: Electronic

Strobe Rate: 0-25Hz

Standalone: Yes

Color Mixing: RGBL

CONNECTIONS

Power Connection: PowerCon True1

DMX Connection: XLR 3-pin

Art-Net Connection: RJ-45

CONTROL

Control Protocols: DMX/ArtNet/sACN/RDM

DMX Channels: 28/35/40/99/252/322CH

Build-in Effects: Yes

ELECTRICAL

Power Supply Voltage: 100-240V 50/60Hz

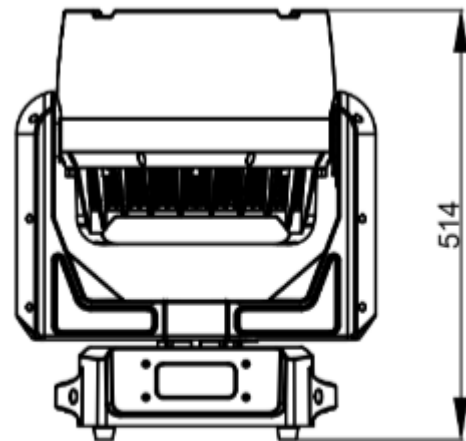
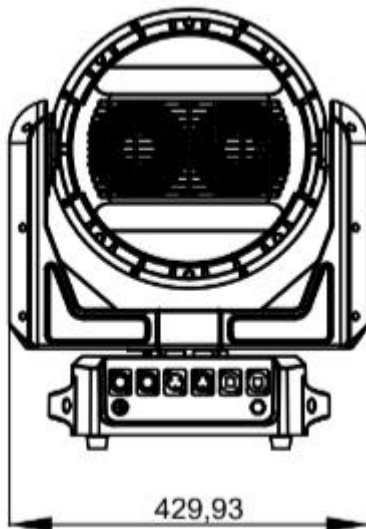
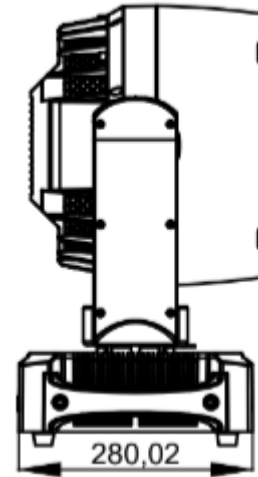
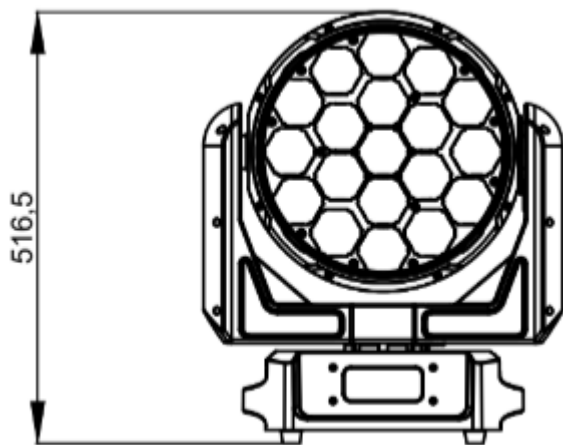
Maximum Power Consumption: 1500W

Light Source 19x60W RGBL LED +76x1W RGB LED

OPTIC

Zoom: 4°-50°

7.DIMENSIONAL DRAWINGS





BRIGHTER LIGHTING SP. Z.O.O.
ul. Warszawska 111
32-087 Bibice
POLAND
NIP: 9442248196
REGON: 361197164



BRIGHTER LIGHTING SP. Z.O.O.

ul. Warszawska 111

32-087 Bibice

POLAND

NIP: 9442248196

REGON: 361197164

The manufacturer reserves the right to make changes to technical parameters



BRIGHTER LIGHTING SP. Z.O.O.
ul. Warszawska 111
32-087 Bibice
POLAND
NIP: 9442248196
REGON: 361197164