

X-Dot – 7x60W Advanced Outdoor Wash Light

Powerful Moving Head with Dot Glow System, Art.-Net and Extraordinary RGBL colour mixing



This product manual contains important information about the safe installation and use of this projector. Please read and follow these instructions carefully and keep this manual in a safe place for future reference.

User manual

Please read the instructions carefully before use



SAFETY PRECAUTIONS

This fixture is a sophisticated piece of electronic equipment. To guarantee a smooth operation, it is important to follow all instructions and guidelines in this manual. Professional is not responsible for injuries and/or damages resulting from the misuse of this fixture due to the disregard of the information printed in this manual. Only qualified and/or certified personnel should perform installation of this fixture and only the original rigging parts included with this fixture should be used for installation. Any modifications to the fixture and/or the included mounting hardware will void the original manufacturer's warranty and increase the risk of damage and/or personal injury.



PROTECTION CLASS 1 - FIXTURE MUST BE PROPERLY GROUNDED.



THERE ARE NO USER SERVICEABLE PARTS INSIDE THIS UNIT. DO NOT ATTEMPT ANY REPAIRS YOURSELF, AS DOING SO WILL VOID YOUR MANUFACTURER'S WARRANTY. DAMAGES RESULTING FROM MODIFICATIONS TO THIS FIXTURE AND/OR THE DISREGARD OF SAFETY INSTRUCTIONS AND GUIDELINES IN THIS MANUAL VOID THE MANUFACTURER'S WARRANTY AND ARE NOT SUBJECT TO ANY WARRANTY CLAIMS AND/OR REPAIRS.

DO NOT PLUG FIXTURE INTO A DIMMER PACK!

NEVER OPEN THIS FIXTURE WHILE IN USE!

UNPLUG POWER BEFORE SERVICING FIXTURE!

NEVER TOUCH FIXTURE DURING OPERATION, AS IT MAY BE HOT! KEEP FLAMMABLE MATERIALS AWAY FROM FIXTURE!



NEVER LOOK DIRECTLY INTO THE LIGHT SOURCE!

RETINA INJURY RISK - MAY INDUCE BLINDNESS!

SENSITIVE PERSONS MAY SUFFER AN EPILEPTIC SHOCK!



ENSURE ALL CONNECTIONS AND END CAPS ARE PROPERLY SEALED WITH A DIELECTRIC GREASE (AVAILABLE AT MOST ELECTRICAL SUPPLIERS) TO PREVENT WATER CORROSION AND/OR ELECTRICAL SHORT CIRCUIT.



MINIMUM DISTANCE TO OBJECTS/SURFACES

MUST BE 3.3 FEET (1 METER)

MAXIMUM TEMP OF EXTERNAL SURFACE 185° F (85° C)

MINIMUM DISTANCE OF FLAMMABLE MATERIALS FROM THE SURFACE IS 1.6 FEET (0.5 METER)

SAFETY PRECAUTIONS

- DO NOT TOUCH the fixture housing during operation. Turn OFF the power and allow approximately 15 minutes for the fixture to cool down before servicing.
- DO NOT shake fixture, and avoid brute force when installing and/or operating fixture.
- DO NOT operate fixture if the power cord is frayed, crimped, damaged and/or if any of the power cord connectors are damaged and do not insert into the fixture securely with ease.
- NEVER force a power cord connector into the fixture. If the power cord or any of its connectors are damaged, replace it immediately with a new one of the same power rating.
- DO NOT block any air ventilation slots.
- All fan and air inlets must remain clean and never blocked.
- Allow approx. 6" (15cm) between fixture and other devices or a wall for proper cooling.
- Always disconnect fixture from main power source before performing any type of service and/or cleaning procedure.
- Only handle the power cord by the plug end. Never pull out the plug by tugging the wire portion of the cord.
- During the initial operation of this fixture, a light smoke or smell may emit from the interior of the fixture. This is a normal process and is caused by excess paint in the interior of the casing burning off from the heat associated with the lamp and will decrease gradually over time.
- Consistent operational breaks will ensure fixture will function properly for many years .
- ONLY use the original packaging and materials to transport the fixture in for service.

MAINTENANCE GUIDELINES



DISCONNECT POWER BEFORE PERFORMING ANY MAINTENANCE!

CLEANING

Frequent cleaning is recommended to ensure proper function, optimized light output, and an extended life. The frequency of cleaning depends on the environment in which the fixture operates: damp, smoky or particularly dirty environments can cause greater accumulation of dirt on the fixture's optics. Periodically clean the external lens surface with a soft cloth to avoid dirt/debris accumulation. **NEVER** use alcohol, solvents, or ammonia-based cleaners .

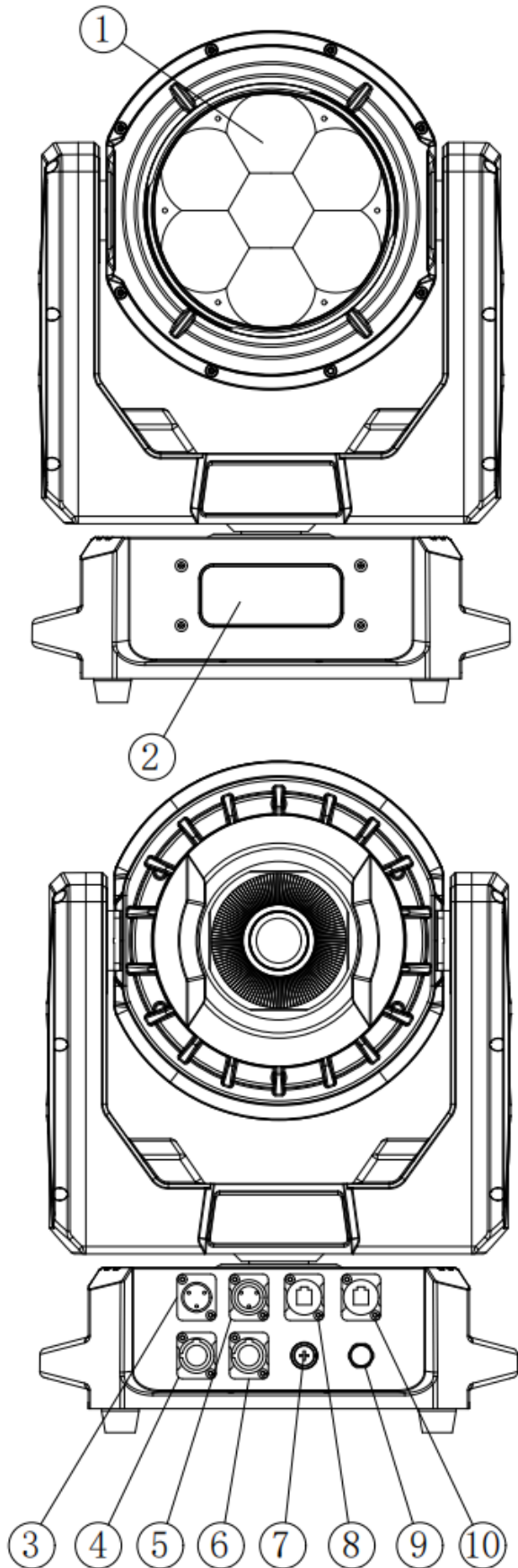
MAINTENANCE

Regular inspections are recommended to ensure proper function and extended life. There are no user serviceable parts inside this fixture. Please refer all other service issues to an authorized our service technician. Should you need any spare parts, please order genuine parts from your local dealer.

Please refer to the following points during routine inspections:

- A detailed electric check by an approved electrical engineer every three months, to make sure the circuit contacts are in good condition and prevent overheating.
- Be sure all screws and fasteners are securely tightened at all times. Loose screws may fall out during normal operation, resulting in damage or injury as larger parts could fall.
- Check for any deformations on the housing, color lenses, rigging hardware, and rigging points (ceiling, suspension, trussing). Deformations in the housing could allow for dust to enter into the fixture. Damaged rigging points or unsecured rigging could cause the fixture to fall and seriously injure a person(s).
- Electric power supply cables must not show any damage, material fatigue or sediments. **NEVER** remove the ground prong from the power cable.

OVERVIEW



1. Lens

2. System Menu LCD Display

3. DMX Input

4. Power Input

5. DMX Output

6. Power Output

7. Fuse

8. RJ45 Input

9. Value

10. RJ45 Output

INSTALLATION GUIDELINES



FLAMMABLE MATERIAL WARNING

Keep fixture minimum 5.0 feet (1.5m) away from flammable materials and/or pyrotechnics.



ELECTRICAL CONNECTIONS

A qualified electrician should be used for all electrical connections and/or installations.



MINIMUM DISTANCE TO SURFACES/OBJECTS IS 3.3 FEET (1 METER).

MINIMUM DISTANCE TO FLAMMABLE MATERIALS IS 1.6 FEET (0.5 METER).

EXTERNAL SURFACE CAN REACH TEMPERATURES OF 185° F (85° C).



DO NOT INSTALL THE FIXTURE IF YOU ARE NOT QUALIFIED TO DO

SO!

Fixture **MUST** be installed following all local, national, and country commercial electrical and construction codes and regulations.

Before rigging/mounting a single fixture or multiple fixtures to any metal truss/structure or placing the fixture(s) on any surface, a professional equipment installer **MUST** be consulted to determine if the metal truss/structure or surface is properly certified to safely hold the combined weight of the fixture(s), clamps, cables, and accessories.

Overhead rigging requires extensive experience, including calculating working load limits, installation material being used, and periodic safety inspection of all installation material and the fixture, among other skills. If you lack these qualifications, do not attempt the installation yourself. Improper installation can result in bodily injury.

Fixture ambient operating temperature range is -4° to 113°F (-20° to 45°C). Do not operate the fixture when the ambient temperature falls outside of this range.

Fixture(s) should be installed away from walking paths, seating areas, or areas where unauthorized personnel might reach the fixture by hand.

NEVER stand directly below the fixture(s) when rigging, removing, or servicing.

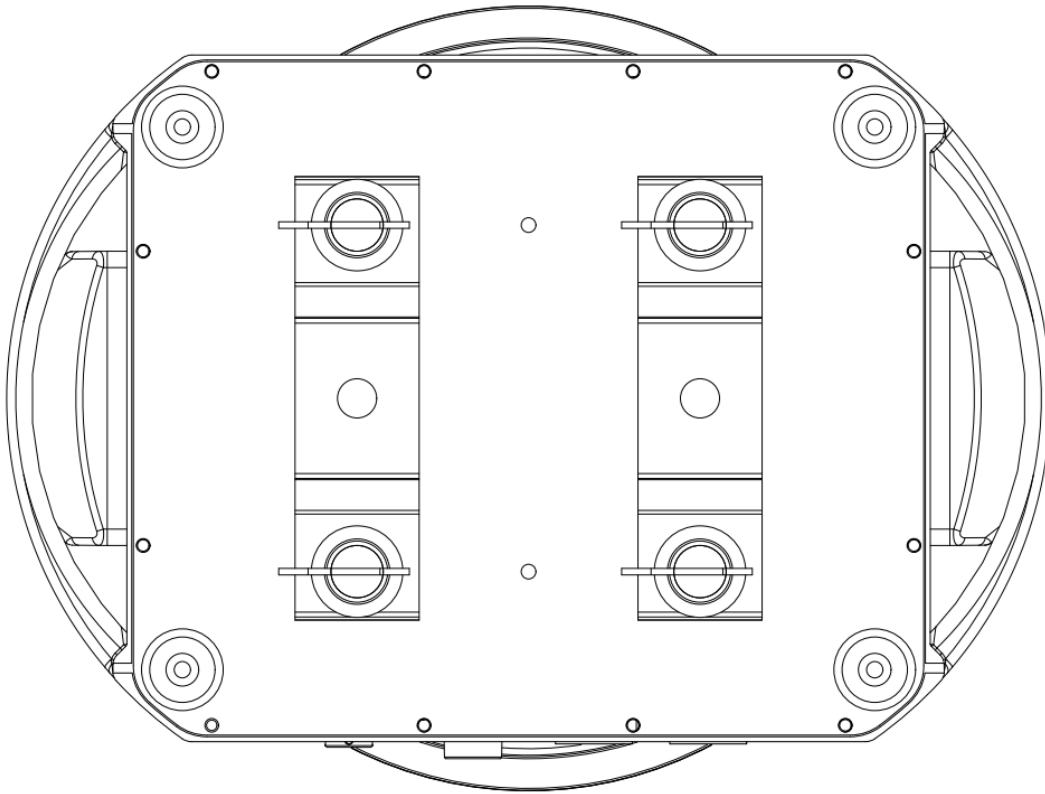
Overhead fixture installation must always be secured with a secondary safety attachment, such as an appropriately rated safety cable.

Allow approximately 15 minutes for the fixture to cool down before serving.

INSTALLATION GUIDELINES

OMEGA BRACKET INSTALLATION

Insert the Omega Brackets into the matching holes on the bottom of the fixture. Secure the Omega Brackets to the fixture by turning each quick-lock fastener $\frac{1}{4}$ turn clockwise . **Always check to make sure that each fastener is completely locked.** Omega brackets can be installed into the underside of the fixture's base as illustrated below.



CLAMP INSTALLATION

When mounting the fixture to a truss, be sure to secure appropriately rated professional grade rigging clamps to the included Omega Brackets using an M10 screw fitted through the center hole of the Omega Brackets. This fixture requires the installation of two Omega brackets and two clamps for secure truss mounting. The fixture also provides built-in rigging points for a SAFETY CABLE. Be sure to only use the designated rigging point for the safety cable and never secure a safety cable to a carrying handle.



SAFETY CABLE:
ALWAYS ATTACH A SAFETY CABLE WHENEVER INSTALLING THIS FIXTURE IN A SUSPENDED ENVIRONMENT TO ENSURE THAT THE FIXTURE WILL NOT FALL IF THE CLAMP FAILS.

INSTALLATION GUIDELINES

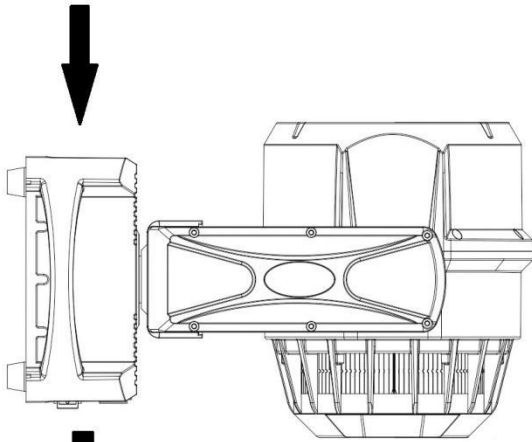
POWER AND DATA CABLES



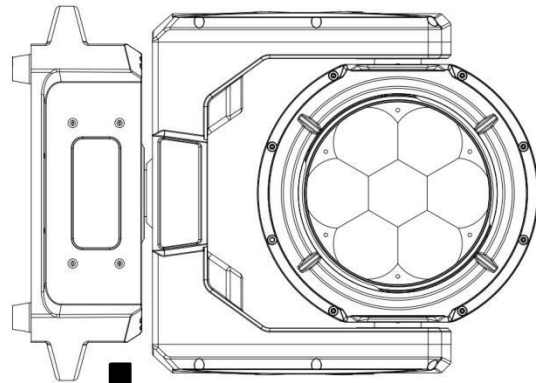
TO MAINTAIN THE IP65 RATING INTEGRITY OF THE FIXTURE, ALL CABLES MUST BE RUN TOWARDS THE GROUND IN ORDER TO PREVENT WATER ACCUMULATION AROUND THE CONNECTIONS.

SYSTEM MENU

LCD DISPLAY



CABLES

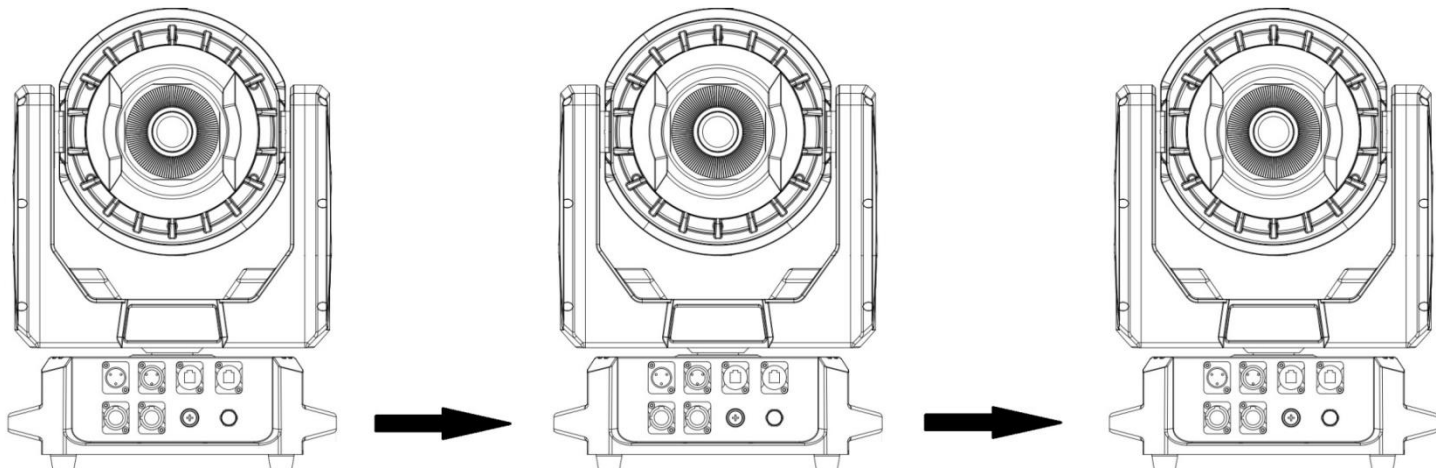


CABLES

RJ45 DATA CABLES



THE INCLUDED RJ45 DATA CABLE IS FOR FIXTURE TO FIXTURE INTERCONNECTIONS ONLY! THE RJ45 CABLE CONNECTORS MAY NOT BE COMPATIBLE WITH OTHER RJ45 OR ETHERNET TYPE CONNECTORS.



INSTALLATION GUIDELINES

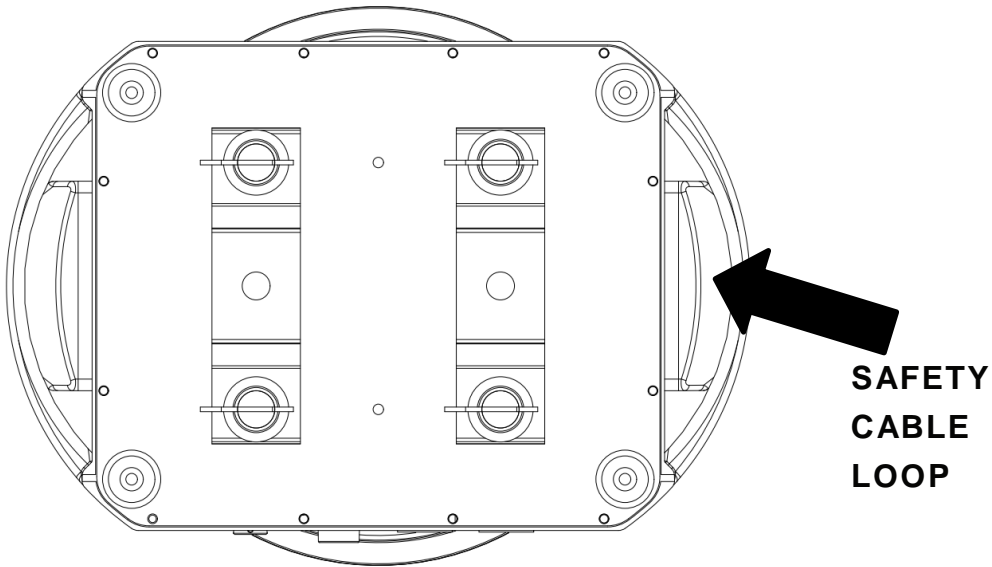
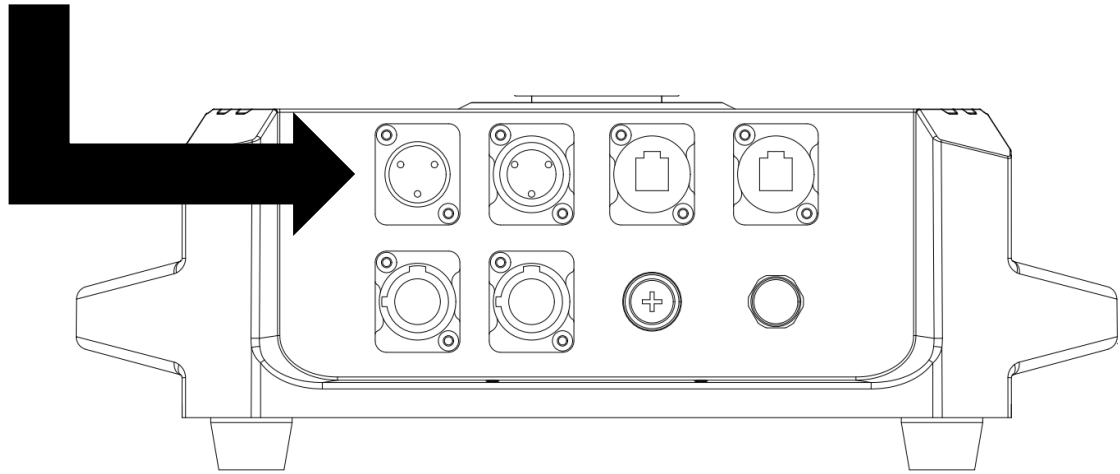
POWER AND DATA CONNECTIONS



ENSURE ALL CONNECTIONS AND END CAPS ARE PROPERLY SEALED WITH A DIELECTRIC GREASE (AVAILABLE AT MOST ELECTRICAL SUPPLIERS) IN ORDER TO PREVENT WATER CORROSION AND/ OR ELECTRICAL SHORT CIRCUIT.



TO MAINTAIN IP65 RATING INTEGRITY AND PREVENT WATER FROM ENTERING THE FIXTURE, SEAL ALL UNUSED CONNECTION RUBBER CAPS.



ALWAYS ATTACH A SAFETY CABLE WHENEVER INSTALLING THIS DEVICE IN A SUSPENDED ENVIRONMENT TO ENSURE THE FIXTURE WILL NOT FALL IF THE CLAMP FAILS!

SYSTEM MENU

Main Menu	Sub Menu	Option/Value	Option/Value
Address	001		
	...		
	512		
Channel	028CH		
	051CH		
	107CH		
	128CH		
Setting	Control Mode	DMX	
		Artnet	
		DMX+Artnet	
		sACN	
		DMX+sACN	
	Dimmer Mode	Linear	
		Square	
		I-Square	
		S-Shape	
	Dimmer Speed	Slow	
		Fast	
	LED Frequency	400HZ	
		1200HZ	
		2000HZ	
		4000HZ	
		6000HZ	
		8000HZ	
		16000HZ	
		24000HZ	
	White Balance	R	000-255
		G	000-255
		B	000-255
		L	000-255
	FAN Mode	Auto	
		Silent	
		Full	
	Calibration	Invert_Pan	NO/YES
		Invert_Tilt	NO/YES
System Calibration		PAN 001~255	
		Tilt 001~255	
		Focus 001~255	
	Rotate 001~255		
Language	Chinese		
	English		

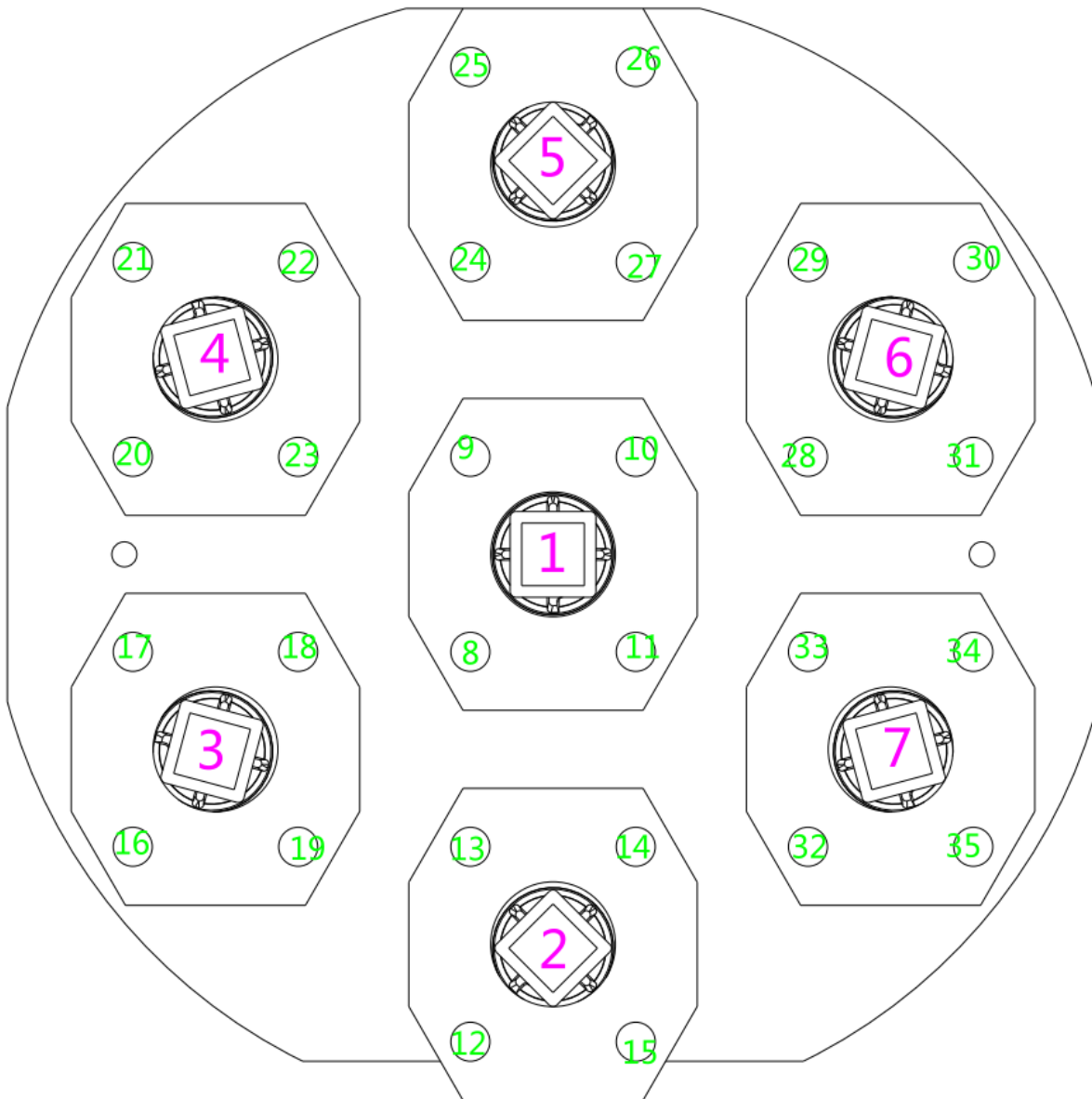
	Invert Screen	OFF	
		ON	
		AUTO	
	Signal Keep	NO/YES	
	Screen Lock	NO/YES	
	Load Default	NO.YES	
Network	Internet	IP	002.000.000.001
		MS	255.000.000.000
	Universe	Net(0~127)	000~127
		Sub_Universe	000~127
Manual	Pan	000~255	
	Tile	000~255	
	Zoom	000~255	
	Rotation	000~255	
	Red	000~255	
	Green	000~255	
	Blue	000~255	
	Lime	000~255	
	Spark Red	000~255	
	Spark Green	000~255	
	Spark Blue	000~255	
	Effect	000~255	
	Spark Effect	000~255	
Reset	Reset Effect		
	Reset Scan		
	Rest All		

LIGHTING CONSOLE PATCHING GUIDELINES

The product is a versatile luminaire which combines two fixtures into one housing, allowing it to produce multiple unique lighting effects typically not found in a single lighting fixture. The DMX layout is designed to offer a variety of options for controlling each fixture efficiently.

The main fixture contains 7x 60W RGBL LEDs, while the Aura effects contains 28x1W RGB LEDs. For ease of use the DMX layout is arranged to allow lighting consoles to separate the fixture into multiple segments or parts. It is especially important to arrange the fixture in such segments or parts when using the fixture in the full extended 127 channel DMX mode. For simpler programming, reduced DMX channel modes can be used. However, for easy recall of interesting pixel animations, both the RGBL and Aura LED fixtures contain two FX systems: one which controls the RGBW cells, and a second that is dedicated to the Aura LEDs.

The pixels are arranged in a grid pattern as illustrated below. (RGBL 1-7 / Aura LED 8-35)



DMX CHART

28CH Mode(DMX,ArtNet,sACN)

Channel	Value	Function	Description
1CH	0-255	Pan Movement	0° - 540°
2CH	0-255	Fine Pan Movement positioning	16 bit adjustable
3CH	0-255	Tilt Movement	0° - 205°
4CH	0-255	Fine Tile Movement positioning	16 bit adjustable
5CH	0-255	P/T motors speed	fast to slow
6CH	0-255	Zoom	3.15° - 45° (From narrow to wide)
7CH	0-255	Fine Zoom positioning	
8CH	0-255	Lens-Rotation	
	0-5	/	
	6-62	Lens-Rotation 1	From left to right position (0-360°)
	63-127	Lens-Rotation 2	From right to left position (0-360°)
	128-192	Lens-Rotation 3	From left to right position (Infinite-Rotation) From slow to fast
	193-255	Lens-Rotation 4	From right to left position (Infinite-Rotation) From slow to fast
9CH	0-255	Reset	
	0-200	/	
	201-215	Zoom/lens-rotation motors reset	The value stops for 5 seconds
	216-230	P/T motors reset	The value stops for 5 seconds
	231-245	Overall reset	The value stops for 5 seconds
	246-255	/	
10CH	0-255	Master Dimmer	Linear 0-100%
11CH	0-255	Fine Master dimmer	
12CH	0-255	Strobe function of RGBL (60W) LEDs	
	0-5	/	
	6-9	Shutter closed	
	10-55	Synchronous strobe	From slow to fast
	56-105	Pulse strobe	From slow to fast
	106-155	Random strobe	From slow to fast
	156-205	Fade Strobe1	From slow to fast Brightness from high to low
	206-255	Fade Strobe2	From slow to fast Brightness from low to

			high
13CH	0-255	Strobe Function of Aura LEDs	
	0-5	/	
	6-9	Shutter closed	
	10-55	Synchronous strobe	From slow to fast
	56-105	Pulse strobe	From slow to fast
	106-155	Random strobe	From slow to fast
	156-205	Fade Strobe1	From slow to fast Brightness from high to low
	206-255	Fade Strobe1	From slow to fast Brightness from low to high
14CH	0-255	60w LED- Red	Linear 0-100%
15CH	0-255	60w LED -Green	Linear 0-100%
16CH	0-255	60w LED- Blue	Linear 0-100%
17CH	0-255	60w LED-Lime	Linear 0-100%
18CH	0-255	Aura Master Dimmer	
19CH	0-255	Aura LED- Red	Linear 0-100%
20CH	0-255	Aura LED-Green	Linear 0-100%
21CH	0-255	Aura LED-Blue	Linear 0-100%
22CH	0-255	60W LEDs Built-in programs	Program1-program16
	0-5	/	
	6-20	Program 1	The color-changes of the build-in effects of 60w Leds is controlled by its color CH
	21-35	Program 2	~
	36-50	Program 3	~
	51-65	Program 4	~
	66-80	Program 5	~
	81-95	Program 6	~
	96-110	Program 7	~
	111-125	Program 8	~
	126-140	Program 9	~
	141-155	Program 10	~
	156-170	Program 11	~
	171-185	Program 12	~
	186-200	Program 13	~
	201-215	Program 14	~
	216-230	Program 15	~
231-245	Program 16	~	
246-255	Auto-running built-in programs	Program 1-Program 16 Auto-running	
23CH	0-255	60W Program Speed	From Slow to fast

24CH	0-255	Aura LEDs built-in program	Program1-program16
	0-5	/	
	6-20	Program 1	The color-changes of the build-in effects of Aura LEDs is controlled by its color CH
	21-35	Program 2	~
	36-50	Program 3	~
	51-65	Program 4	~
	66-80	Program 5	~
	81-95	Program 6	~
	96-110	Program 7	~
	111-125	Program 8	~
	126-140	Program 9	~
	141-155	Program 10	~
	156-170	Program 11	~
	171-185	Program 12	~
	186-200	Program 13	~
	201-215	Program 14	~
	216-230	Program 15	~
	231-245	Program 16	~
	246-255	Auto-running built-in programs	Program 1-Program 16 Auto-running
25CH	0-255	Aura LEDs program speed	from slow to fast
26CH	0-255	Marco Color	
	0-45	Macro Off	
	46-50	Cyan	R=000,G=255,B=255,L=000
	51-55	Yellow	R=255,G=255,B=000,L=000
	56-60	Magenta	R=255,G=000,B=255,L=000
	61-65	Medium Yellow	R=156,G=126,B=000,L=000
	66-70	Straw Tint	R=152,G=115,B=009,L=000
	71-75	Surprise Peach	R=198,G=114,B=009,L=000
	76-80	Fire	R=255,G=056,B=000,L=000
	81-85	Medium Amber	R=255,G=135,B=000,L=000
	86-90	Gold Amber	R=255,G=100,B=000,L=000
	91-95	Dark Amber	R=255,G=065,B=000,L=000
	96-100	Sunrise Red	R=255,G=083,B=002,L=000
	101-105	Light Pink	R=255,G=112,B=000,L=141
	106-110	Medium Pink	R=255,G=087,B=000,L=107
	111-115	Pink Carnation	R=255,G=107,B=000,L=130
	116-120	Light Lavender	R=243,G=117,B=039,L=197
	121-125	Sky Blue	R=000,G=255,B=135,L=000

	126-130	Just Blue	R=000,G=194,B=130,L=000
	131-135	Dark yellow green	R=041,G=219,B=000,L=000
	136-140	Spring Yellow	R=245,G=202,B=000,L=000
	141-145	Light Amber	R=237,G=163,B=000,L=000
	146-150	Straw Tint	R=230,G=160,B=000,L=069
	151-155	Deep Amber	R=255,G=166,B=000,L=000
	156-160	Orange	R=255,G=122,B=000,L=000
	161-165	Light Rose	R=255,G=141,B=031,L=000
	166-170	Middle Rose	R=217,G=130,B=028,L=000
	171-175	Dark Pink	R=255,G=109,B=033,L=000
	176-180	Magenta	R=255,G=020,B=015,L=000
	181-185	Peacock Blue	R=051,G=255,B=051,L=000
	186-190	Steel Blue	R=206,G=255,B=056,L=000
	191-195	Light Blue	R=074,G=255,B=082,L=000
	196-200	Dark Blue	R=000,G=186,B=255,L=000
	201-205	Leaf Green	R=206,G=255,B=000,L=000
	206-210	Dark Green	R=084,G=255,B=013,L=000
	211-215	Mauve	R=227,G=041,B=056,L=000
	216-220	Deep Golden Amber	R=255,G=058,B=000,L=000
	221-225	Pale Lavender	R=255,G=197,B=061,L=000
	226-230	Primary Green	R=077,G=255,B=000,L=000
	231-235	Bright Blue	R=000,G=255,B=087,L=000
	235-240	Apricot	R=255,G=143,B=013,L=000
	241-245	Pale Gold	R=253,G=171,B=026,L=000
	246-250	Deep Orange	R=222,G=084,B=000,L=000
	251-255	Flame Red	R=255,G=046,B=002,L=000
27CH	0-255	color temperature preset	Color temperature 2000K-8000K
	0-17	Off light	
	18-34	8000K	R=255,G=182,B=110,L=255
	35-51	7500K	R=255,G=144,B=089,L=255
	52-68	6500K	R=255,G=129,B=081,L=255
	69-85	6000K	R=255,G=121,B=073,L=255
	86-102	5600K	R=255,G=106,B=066,L=255
	103-119	5000K	R=255,G=090,B=055,L=255
	120-136	4500K	R=255,G=071,B=043,L=255
	137-153	4000K	R=255,G=055,B=034,L=255
	154-170	3500K	R=255,G=029,B=024,L=255
	171-187	3200K	R=255,G=011,B=019,L=255
	188-204	3000K	R=255,G=004,B=016,L=255
	205-221	2700K	R=255,G=000,B=009,L=203
	222-238	2500K	R=255,G=000,B=004,L=172
239-255	2000K	R=255,G=000,B=000,L=105	
28CH	0-255	Color Tint Adjust	

51CH Mode (Support Dmx /Artnet/sACN. when u use DMX+Artnet mode, the 1-23CH are controlled by DMX protocol)

Channel	Value	Function	Description
1CH	0-255	Pan Movement	0°- 540°
2CH	0-255	Fine Pan Movement positioning	16 bit adjustable
3CH	0-255	Tilt Movement	0°- 205°
4CH	0-255	Fine Tile Movement positioning	16 bit adjustable
5CH	0-255	P/T motors speed	fast to slow
6CH	0-255	Zoom	3.15°- 45° (From narrow to wide)
7CH	0-255	Fine Zoom positioning	
8CH	0-255	Lens-Rotation	
	0-5	/	
	6-62	Lens-Rotation 1	From left to right position (0-360°)
	63-127	Lens-Rotation 2	From right to left position (0-360°)
	128-192	Lens-Rotation 3	From left to right position (Infinite-Rotation) From slow to fast
	193-255	Lens-Rotation 4	From right to left position (Infinite-Rotation) From slow to fast
9CH	0-255	Reset	
	0-200	/	
	201-215	Zoom/lens-rotation motors reset	The value stops for 5 seconds
	216-230	P/T motors reset	The value stops for 5 seconds
	231-245	Overall reset	The value stops for 5 seconds
	246-255	/	
10CH	0-255	Master Dimmer of Aura LEDs	Linear 0-100%
11CH	0-255	Fine Aura dimmer	
12CH	0-255	Strobe Function of Aura LEDs	
	0-5	/	
	6-55	Synchronous strobe	From slow to fast
	56-105	Pulse strobe	From slow to fast
	106-155	Random strobe	From slow to fast
	156-205	Fade Strobe1	From slow to fast Brightness from high to low
	206-255	Fade Strobe1	From slow to fast Brightness from low to

			high
13CH	0-255	Aura LED- Red	Linear 0-100%
14CH	0-255	Aura LED-Green	Linear 0-100%
15CH	0-255	Aura LED-Blue	Linear 0-100%
16CH	0-255	Aura LEDs built-in program	Program1-program16
	0-5	/	
	6-20	Program 1	The color-changes of the build-in effects of Aura LEDs is controlled by its color CH
	21-35	Program 2	~
	36-50	Program 3	~
	51-65	Program 4	~
	66-80	Program 5	~
	81-95	Program 6	~
	96-110	Program 7	~
	111-125	Program 8	~
	126-140	Program 9	~
	141-155	Program 10	~
	156-170	Program 11	~
	171-185	Program 12	~
	186-200	Program 13	~
	201-215	Program 14	~
	216-230	Program 15	~
	231-245	Program 16	~
	246-255	Auto-running built-in programs	Program 1-Program 16 Auto-running
	246-255	Aura LEDs built-in program	Program1-program16
17CH	0-255	Aura LEDs program speed	from slow to fast
18CH	0-255	60W Dimmer	From Dark to light
19CH	0-255	60W Fine Master Dimmer	From Dark to light
20CH	0-255	Strobe function of RGBL (60W) LEDs	
	0-5	/	
	6-55	Synchronous strobe	From slow to fast
	56-105	Pulse strobe	From slow to fast
	106-155	Random strobe	From slow to fast
	156-205	Fade Strobe1	From slow to fast Brightness from high to low
	206-255	Fade Strobe2	From slow to fast Brightness from low to high
21CH	0-255	Marco Color	
	0-45	Macro Off	
	46-50	Cyan	R=000,G=255,B=255,L=000

	51-55	Yellow	R=255,G=255,B=000,L=000
	56-60	Magenta	R=255,G=000,B=255,L=000
	61-65	Medium Yellow	R=156,G=126,B=000,L=000
	66-70	Straw Tint	R=152,G=115,B=009,L=000
	71-75	Surprise Peach	R=198,G=114,B=009,L=000
	76-80	Fire	R=255,G=056,B=000,L=000
	81-85	Medium Amber	R=255,G=135,B=000,L=000
	86-90	Gold Amber	R=255,G=100,B=000,L=000
	91-95	Dark Amber	R=255,G=065,B=000,L=000
	96-100	Sunrise Red	R=255,G=083,B=002,L=000
	101-105	Light Pink	R=255,G=112,B=000,L=141
	106-110	Medium Pink	R=255,G=087,B=000,L=107
	111-115	Pink Carnation	R=255,G=107,B=000,L=130
	116-120	Light Lavender	R=243,G=117,B=039,L=197
	121-125	Sky Blue	R=000,G=255,B=135,L=000
	126-130	Just Blue	R=000,G=194,B=130,L=000
	131-135	Dark yellow green	R=041,G=219,B=000,L=000
	136-140	Spring Yellow	R=245,G=202,B=000,L=000
	141-145	Light Amber	R=237,G=163,B=000,L=000
	146-150	Straw Tint	R=230,G=160,B=000,L=069
	151-155	Deep Amber	R=255,G=166,B=000,L=000
	156-160	Orange	R=255,G=122,B=000,L=000
	161-165	Light Rose	R=255,G=141,B=031,L=000
	166-170	Middle Rose	R=217,G=130,B=028,L=000
	171-175	Dark Pink	R=255,G=109,B=033,L=000
	176-180	Magenta	R=255,G=020,B=015,L=000
	181-185	Peacock Blue	R=051,G=255,B=051,L=000
	186-190	Steel Blue	R=206,G=255,B=056,L=000
	191-195	Light Blue	R=074,G=255,B=082,L=000
	196-200	Dark Blue	R=000,G=186,B=255,L=000
	201-205	Leaf Green	R=206,G=255,B=000,L=000
	206-210	Dark Green	R=084,G=255,B=013,L=000
	211-215	Mauve	R=227,G=041,B=056,L=000
	216-220	Deep Golden Amber	R=255,G=058,B=000,L=000
	221-225	Pale Lavender	R=255,G=197,B=061,L=000
	226-230	Primary Green	R=077,G=255,B=000,L=000
	231-235	Bright Blue	R=000,G=255,B=087,L=000
	235-240	Apricot	R=255,G=143,B=013,L=000
	241-245	Pale Gold	R=253,G=171,B=026,L=000
	246-250	Deep Orange	R=222,G=084,B=000,L=000
	251-255	Flame Red	R=255,G=046,B=002,L=000
22CH	0-255	color temperature preset	Color temperature 2000K-8000K
	0-17	Off light	

	18-34	8000K	R=255,G=182,B=110,L=255
	35-51	7500K	R=255,G=144,B=089,L=255
	52-68	6500K	R=255,G=129,B=081,L=255
	69-85	6000K	R=255,G=121,B=073,L=255
	86-102	5600K	R=255,G=106,B=066,L=255
	03-119	5000K	R=255,G=090,B=055,L=255
	120-136	4500K	R=255,G=071,B=043,L=255
	137-153	4000K	R=255,G=055,B=034,L=255
	154-170	3500K	R=255,G=029,B=024,L=255
	171-187	3200K	R=255,G=011,B=019,L=255
	188-204	3000K	R=255,G=004,B=016,L=255
	205-221	2700K	R=255,G=000,B=009,L=203
	222-238	2500K	R=255,G=000,B=004,L=172
	239-255	2000K	R=255,G=000,B=000,L=105
23CH	0-255	Color tint adjust	
24CH	0-255	LED1 Red	Dark to light
25CH	0-255	LED1 Green	Dark to light
26CH	0-255	LED1 Blue	Dark to light
27CH	0-255	LED1 Lime	Dark to light
....
....
...
....
48CH	0-255	LED7 Red	Dark to light
49CH	0-255	LED7 Green	Dark to light
50CH	0-255	LED7 Blue	Dark to light
51CH	0-255	LED7 Lime	Dark to light

107CH Mode (Support Dmx /Artnet/sACN. when u use DMX+Artnet mode, the 1-23CH are controlled by DMX protocol)

Channel	Value	Function	Description
1CH	0-255	Pan Movement	0° - 540°
2CH	0-255	Fine Pan Movement positioning	16 bit adjustable
3CH	0-255	Tilt Movement	0° - 205°
4CH	0-255	Fine Tile Movement positioning	16 bit adjustable

5CH	0-255	P/T motors speed	fast to slow
6CH	0-255	Zoom	3.15°- 45° (From narrow to wide)
7CH	0-255	Fine Zoom positioning	
8CH	0-255	Lens-Rotation	
	0-5	/	
	6-62	Lens-Rotation 1	From left to right position (0-360°)
	63-127	Lens-Rotation 2	From right to left position (0-360°)
	128-192	Lens-Rotation 3	From left to right position (Infinite-Rotation)From slow to fast
193-255	Lens-Rotation 4	From right to left position (Infinite-Rotation)From slow to fast	
9CH	0-255	Reset	
	0-200	/	
	201-215	Zoom/lens-rotation motors reset	The value stops for 5 seconds
	216-230	P/T motors reset	The value stops for 5 seconds
	231-245	Overall reset	The value stops for 5 seconds
	246-255	/	
10CH	0-255	60W Master Dimmer	
11CH	0-255	60W Fine Master Dimmer	
12CH	0-255	Strobe function of RGBL (60W) LEDs	
	0-5	/	
	6-55	Synchronous strobe	From slow to fast
	56-105	Pulse strobe	From slow to fast
	106-155	Random strobe	From slow to fast
	156-205	Fade Strobe1	From slow to fast Brightness from high to low
	206-255	Fade Strobe2	From slow to fast Brightness from low to high
13CH	0-255	60w LED- Red	Linear 0-100%
14CH	0-255	60w LED -Green	Linear 0-100%
15CH	0-255	60w LED- Blue	Linear 0-100%
16CH	0-255	60w LED-Lime	Linear 0-100%
17CH	0-255	60W LEDs Built-in programs	Program1-program16
	0-5	/	
	6-20	Program 1	The color-changes of the build-in effects of 60w Leds is controlled by its color CH
	21-35	Program 2	~
	36-50	Program 3	~
	51-65	Program 4	~
	66-80	Program 5	~
	81-95	Program 6	~
	96-110	Program 7	~
	111-125	Program 8	~
	126-140	Program 9	~

	141-155	Program 10	~
	156-170	Program 11	~
	171-185	Program 12	~
	186-200	Program 13	~
	201-215	Program 14	~
	216-230	Program 15	~
	231-245	Program 16	~
	246-255	Auto-running built-in programs	Program 1-Program 16 Auto-running
18CH	0-255	60W Program Speed	From Slow to fast
19CH	0-255	Marco Color	
	0-5	/	
	6-10	Red	R=000,G=255,B=255,L=000
	11-15	Green	R=255,G=255,B=000,L=000
	16-20	Blue	R=255,G=000,B=255,L=000
	21-25	Cyan	R=156,G=126,B=000,L=000
	26-30	Yellow	R=152,G=115,B=009,L=000
	31-35	Magenta	R=198,G=114,B=009,L=000
	36-40	Medium Yellow	R=255,G=056,B=000,L=000
	41-45	Straw Tint	R=255,G=135,B=000,L=000
	46-50	Surprise Peach	R=255,G=100,B=000,L=000
	51-55	Fire	R=255,G=065,B=000,L=000
	56-60	Medium Amber	R=255,G=083,B=002,L=000
	61-65	Gold Amber	R=255,G=112,B=000,L=141
	66-70	Dark Amber	R=255,G=087,B=000,L=107
	71-75	Sunrise Red	R=255,G=107,B=000,L=130
	76-80	Light Pink	R=243,G=117,B=039,L=197
	81-85	Medium Pink	R=000,G=255,B=135,L=000
	86-90	Pink Carnation	R=000,G=194,B=130,L=000
	91-95	Light Lavender	R=041,G=219,B=000,L=000
	96-100	Sky Blue	R=245,G=202,B=000,L=000
	101-105	Just Blue	R=237,G=163,B=000,L=000
	106-110	Dark Yellow Green	R=230,G=160,B=000,L=069
	111-115	Spring Yellow	R=255,G=166,B=000,L=000
	116-120	Light Amber	R=255,G=122,B=000,L=000
	121-125	Straw Tint	R=255,G=141,B=031,L=000
	126-130	Deep Amber	R=217,G=130,B=028,L=000
	131-135	Orange	R=255,G=109,B=033,L=000
	136-140	Light Rose	R=255,G=020,B=015,L=000
	141-145	Middle Rose	R=051,G=255,B=051,L=000
146-150	Dark Pink	R=206,G=255,B=056,L=000	
151-155	Magenta	R=074,G=255,B=082,L=000	
156-160	Peacock Blue	R=000,G=186,B=255,L=000	

	161-165	Steel Blue	R=206,G=255,B=000,L=000
	166-170	Light Blue	R=084,G=255,B=013,L=000
	171-175	Dark Blue	R=227,G=041,B=056,L=000
	176-180	Leaf Green	R=255,G=058,B=000,L=000
	181-185	Dark Green	R=255,G=197,B=061,L=000
	186-190	Mauve	R=077,G=255,B=000,L=000
	191-195	Deep Golden Amber	R=000,G=255,B=087,L=000
	196-200	Pale Lavender	R=255,G=143,B=013,L=000
	201-205	Primary Green	R=253,G=171,B=026,L=000
	206-210	Bright Blue	R=222,G=084,B=000,L=000
	211-215	Apricot	R=255,G=046,B=002,L=000
	216-220	Pale Gold	R=000,G=255,B=255,L=000
	221-225	Deep Orange	R=255,G=255,B=000,L=000
	226-230	Flame Red	R=255,G=000,B=255,L=000
20CH	0-255	color temperature preset	Color temperature 2000K-8000K
	0-17	Off light	
	18-34	8000K	R=255,G=182,B=110,L=255
	35-51	7500K	R=255,G=144,B=089,L=255
	52-68	6500K	R=255,G=129,B=081,L=255
	69-85	6000K	R=255,G=121,B=073,L=255
	86-102	5600K	R=255,G=106,B=066,L=255
	03-119	5000K	R=255,G=090,B=055,L=255
	120-136	4500K	R=255,G=071,B=043,L=255
	137-153	4000K	R=255,G=055,B=034,L=255
	154-170	3500K	R=255,G=029,B=024,L=255
	171-187	3200K	R=255,G=011,B=019,L=255
	188-204	3000K	R=255,G=004,B=016,L=255
	205-221	2700K	R=255,G=000,B=009,L=203
222-238	2500K	R=255,G=000,B=004,L=172	
239-255	2000K	R=255,G=000,B=000,L=105	
21CH	0-255	Color tint adjust	
22CH	0-255	Master Dimmer of Aura LEDs	Linear 0-100%
23CH	0-255	Strobe Function of Aura LEDs	
	0-5	/	
	6-55	Synchronous strobe	From slow to fast
	56-105	Pulse strobe	From slow to fast
	106-155	Random strobe	From slow to fast
	156-205	Fade Strobe1	From slow to fast Brightness from high to low
206-255	Fade Strobe1	From slow to fast Brightness from low to high	
24CH	0-255	LED8 Red	Dark to light
25CH	0-255	LED8 Green	Dark to light

26CH	0-255	LED8 Blue	Dark to light
....
....
....
105CH	0-255	LED35 Red	Dark to light
106CH	0-255	LED35 Green	Dark to light
107CH	0-255	LED35 Blue	Dark to light

128CH Mode (Support Dmx /Artnet/sACN. when u use DMX+Artnet mode, the 1-16CH are controlled by DMX protocol)

Channel	Value	Function	Description
1CH	0-255	Pan Movement	0°- 540°
2CH	0-255	Fine Pan Movement positioning	16 bit adjustable
3CH	0-255	Tilt Movement	0°- 205°
4CH	0-255	Fine Tile Movement positioning	16 bit adjustable
5CH	0-255	P/T motors speed	fast to slow
6CH	0-255	Zoom	3.15°- 45° (From narrow to wide)
7CH	0-255	Fine Zoom positioning	
8CH	0-255	Lens-Rotation	
	0-5	/	
	6-62	Lens-Rotation 1	From left to right position (0-360°)
	63-127	Lens-Rotation 2	From right to left position (0-360°)
	128-192	Lens-Rotation 3	From left to right position (Infinite-Rotation) From slow to fast
	193-255	Lens-Rotation 4	From right to left position (Infinite-Rotation) From slow to fast
9CH	0-255	Reset	
	0-200	/	
	201-215	Zoom/lens-rotation motors reset	The value stops for 5 seconds
	216-230	P/T motors reset	The value stops for 5 seconds
	231-245	Overall reset	The value stops for 5 seconds
	246-255	/	
10CH	0-255	Master Dimmer of Aura	From Dark to light
11CH	0-255	Strobe Function of Aura LEDs	
	0-5	/	
	6-55	Synchronous strobe	From slow to fast
	56-105	Pulse strobe	From slow to fast

	106-155	Random strobe	From slow to fast
	156-205	Fade Strobe1	From slow to fast Brightness from high to low
	206-255	Fade Strobe2	From slow to fast Brightness from low to high
12CH	0-255	60W Dimmer	From Dark to light
13CH	0-255	60W Fine Dimmer	
14CH	0-255	Strobe function of RGBL (60W) LEDs	
	0-5	/	
	6-55	Synchronous strobe	From slow to fast
	56-105	Pulse strobe	From slow to fast
	106-155	Random strobe	From slow to fast
	156-205	Fade Strobe1	From slow to fast Brightness from high to low
	206-255	Fade Strobe2	From slow to fast Brightness from low to high
15CH	0-255	Marco Color	
	0-45	Macro Off	
	46-50	Cyan	R=000,G=255,B=255,L=000
	51-55	Yellow	R=255,G=255,B=000,L=000
	56-60	Magenta	R=255,G=000,B=255,L=000
	61-65	Medium Yellow	R=156,G=126,B=000,L=000
	66-70	Straw Tint	R=152,G=115,B=009,L=000
	71-75	Surprise Peach	R=198,G=114,B=009,L=000
	76-80	Fire	R=255,G=056,B=000,L=000
	81-85	Medium Amber	R=255,G=135,B=000,L=000
	86-90	Gold Amber	R=255,G=100,B=000,L=000
	91-95	Dark Amber	R=255,G=065,B=000,L=000
	96-100	Sunrise Red	R=255,G=083,B=002,L=000
	101-105	Light Pink	R=255,G=112,B=000,L=141
	106-110	Medium Pink	R=255,G=087,B=000,L=107
	111-115	Pink Carnation	R=255,G=107,B=000,L=130
	116-120	Light Lavender	R=243,G=117,B=039,L=197
	121-125	Sky Blue	R=000,G=255,B=135,L=000
	126-130	Just Blue	R=000,G=194,B=130,L=000
	131-135	Dark yellow green	R=041,G=219,B=000,L=000
	136-140	Spring Yellow	R=245,G=202,B=000,L=000
	141-145	Light Amber	R=237,G=163,B=000,L=000
	146-150	Straw Tint	R=230,G=160,B=000,L=069
	151-155	Deep Amber	R=255,G=166,B=000,L=000
	156-160	Orange	R=255,G=122,B=000,L=000
	161-165	Light Rose	R=255,G=141,B=031,L=000
166-170	Middle Rose	R=217,G=130,B=028,L=000	
171-175	Dark Pink	R=255,G=109,B=033,L=000	
176-180	Magenta	R=255,G=020,B=015,L=000	
181-185	Peacock Blue	R=051,G=255,B=051,L=000	

	186-190	Steel Blue	R=206,G=255,B=056,L=000
	191-195	Light Blue	R=074,G=255,B=082,L=000
	196-200	Dark Blue	R=000,G=186,B=255,L=000
	201-205	Leaf Green	R=206,G=255,B=000,L=000
	206-210	Dark Green	R=084,G=255,B=013,L=000
	211-215	Mauve	R=227,G=041,B=056,L=000
	216-220	Deep Golden Amber	R=255,G=058,B=000,L=000
	221-225	Pale Lavender	R=255,G=197,B=061,L=000
	226-230	Primary Green	R=077,G=255,B=000,L=000
	231-235	Bright Blue	R=000,G=255,B=087,L=000
	235-240	Apricot	R=255,G=143,B=013,L=000
	241-245	Pale Gold	R=253,G=171,B=026,L=000
	246-250	Deep Orange	R=222,G=084,B=000,L=000
	251-255	Flame Red	R=255,G=046,B=002,L=000
16CH	0-255	color temperature preset	Color temperature 2000K-8000K
	0-17	Off light	
	18-34	8000K	R=255,G=182,B=110,L=255
	35-51	7500K	R=255,G=144,B=089,L=255
	52-68	6500K	R=255,G=129,B=081,L=255
	69-85	6000K	R=255,G=121,B=073,L=255
	86-102	5600K	R=255,G=106,B=066,L=255
	03-119	5000K	R=255,G=090,B=055,L=255
	120-136	4500K	R=255,G=071,B=043,L=255
	137-153	4000K	R=255,G=055,B=034,L=255
	154-170	3500K	R=255,G=029,B=024,L=255
	171-187	3200K	R=255,G=011,B=019,L=255
	188-204	3000K	R=255,G=004,B=016,L=255
	205-221	2700K	R=255,G=000,B=009,L=203
	222-238	2500K	R=255,G=000,B=004,L=172
239-255	2000K	R=255,G=000,B=000,L=105	
17CH	0-255	LED 1 Red	Dark to light
18CH	0-255	LED 1 Green	Dark to light
19CH	0-255	LED 1 Blue	Dark to light
20CH	0-255	LED 1 Lime	Dark to light
....
....
....
....
....
41CH	0-255	LED 7 Red	Dark to light
42CH	0-255	LED 7 Green	Dark to light
43CH	0-255	LED 7 Blue	Dark to light
44CH	0-255	LED 7 Lime	Dark to light

45CH	0-255	LED8 Red	Dark to light
46CH	0-255	LED8 Green	Dark to light
47CH	0-255	LED8 Blue	Dark to light
....
....
....
126CH	0-255	LED35 Red	Dark to light
127CH	0-255	LED35 Green	Dark to light
128CH	0-255	LED35 Blue	Dark to light

SPECIFICATIONS

SOURCE:

7pcs* 60W RGBL LEDs
 28pcs* 1W RGB LEDS
 50,000 Hour Average LED Life*

PHOTOMETRIC DATA:

9200 Total Lumen Output
 CRI 80+
 Zoom Range 3.5° - 45°

EFFECT:

Motorized Zoom
 Linear Color Temperature Presets (2000 -8000K)
 RGBL Color -Mixing and Pixel-Control for each LEDs
 Aura LEDs Effects (RGB LEDs)
 Color -Presets and Macros
 Electronic Strobe and Variable Dimming Curves
 16 - bit Dimming

CONTROL / CONNECTIONS:

28/51/107/128 DMX Channel Modes
 P/T Movement 540°/205°
 Infinite-Lens-rotation
 DMX Adjustable Refresh Rate (from 900 to 25000 Hz)
 (4) Button Touch panel
 Full Color 180°Reversible LCD Menu Display
 DMX/ArtNet/sACN/RDM Support
 Software upgrade via RJ45 cable

SIZE / WEIGHT:

Length: 309.5 mm (12.19 in)
 Width: 210 mm (8.27 in)
 Height: 463 mm(18.23 in)
 Weight: 12 KGS (26.46 lbs.)

ELECTRICAL / THERMAL:
AC 100-240V 50/60Hz
700W Max Power Consumption
BTU/hr (+/- 10%) 2387

APPROVALS/RATINGS:
CE | IP65

DIMENSIONAL DRAWINGS

