



LED PROFILE 250

LED-Based Waterproof Profile Lamp



This product manual contains important information about the safe installation and use of this projector. Please read and follow these instructions carefully and keep this manual in a safe place

User manual

Please read the instructions carefully before use

Thanks for your choosing our product, which adopts the latest light source-LED. It overcomes the disadvantages of traditional light source (Such as high electricity consumption, short life, high temperature, etc.) LED can save much energy, with long life, high brightness, bright colours. It is the ideal product on all kinds of lighting fields at present.

SAFTY INFORMATION

1. This unit belongs to class 1 protective lights, so the lights must be grounded well. Should be grounded by the professional.
2. Please confirm the voltage is among the proper value.
3. Please confirm the power cord is undamaged.
4. Please cut off the power before cleaning the lights.
5. Only permitted to connect the power cord with the plug.
6. Don't use knife to drag the power cord when unplugging.
7. Be careful when installing the light. Don't touch the bare wire, to avoid the electric shock.
8. Don't look straight at the light source when the light is on, otherwise your eyes can be hurt.
9. When choosing the installing position, please confirm the light is not exposed to the high temperature, moist or dusty place.
10. Please use proper, applicable and safe wires to connect the light.
11. Please don't operate it until you know the light's function well.

Note: The light should be operated only by the professional engineer.

12. Please don't modify the light at will, which can cause short circuit, burn, electric shock, etc. Otherwise the manufacturer won't consider warranty.

Technical Specifications:

- Light source: 250W COB LED
- Color Temperature: 3200K - 5600K
- CRI: >85Ra or >95Ra
- Luminous flux: 25000-28000lm
- Beam angle: 19/26/36/50 degrees
- IP 65
- Strobe 1-20Hz
- Temperature controlled fan
- DMX: 1 or 2 channels
- Dimmer: linear 0-100%
- N.W.: 10.1kg
- Dimensions (LxWxH): 740x320x320mm

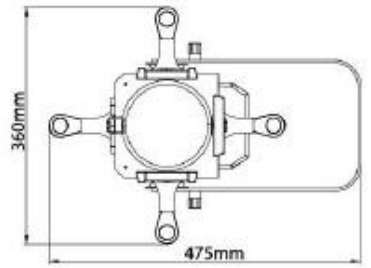
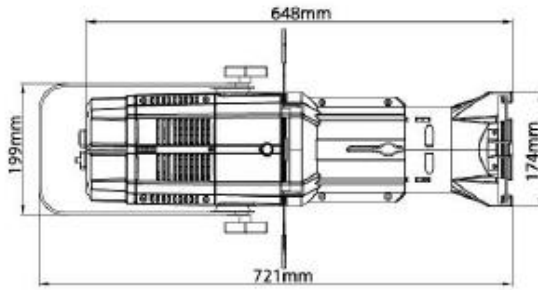
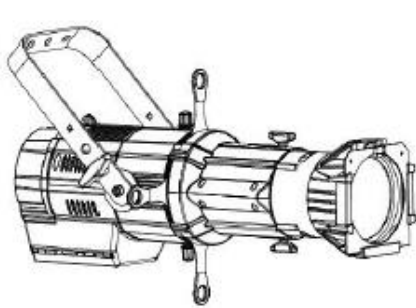
DMX-512 control

(1) DMX 2 Channels:

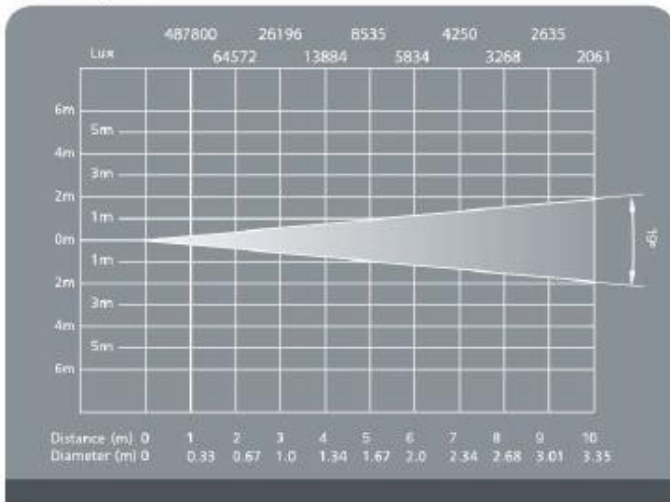
| CHANNEL | FUNCTION | VALUE | FUNCTION |
|---------|----------|-------|---------------------------|
| 1 | Dimmer | 0-255 | Master Dimmer |
| 2 | Strobe | 0-255 | Strobe, from slow to fast |

(2) DMX 1 Channels:

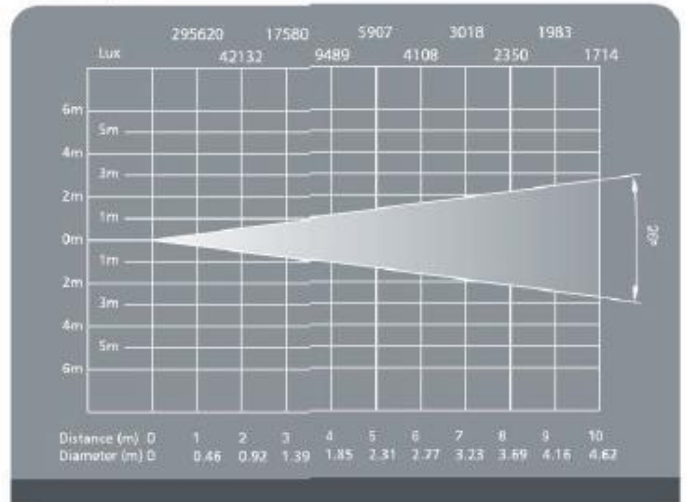
| CHANNEL | FUNCTION | VALUE | FUNCTION |
|---------|----------|-------|---------------|
| 1 | Dimmer | 0-255 | Master Dimmer |



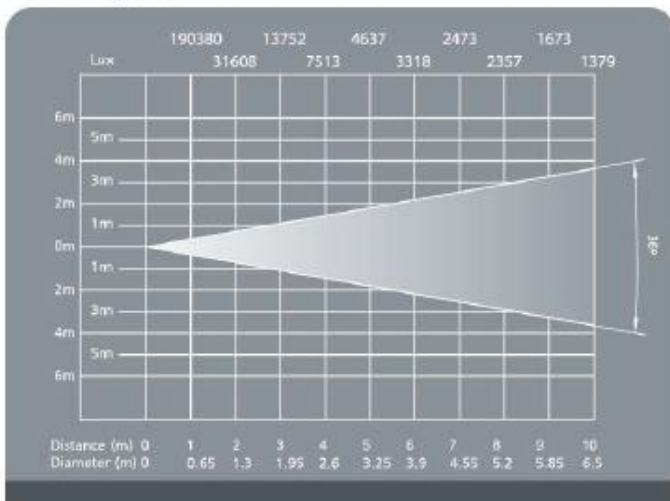
Beam angle 19°



Beam angle 26°



Beam angle 36°



Beam angle 50°

