



FW200CTO

CTO – Variable Color Temperature Version



This product manual contains important information about the safe installation and use of this projector. Please read and follow these instructions carefully and keep this manual in a safe place

User manual

Please read the instructions carefully before use

Thanks for your choosing our product, which adopts the latest light source-LED. It overcomes the disadvantages of traditional light source (Such as high electricity consumption, short life, high temperature, etc.) LED can save much energy, with long life, high brightness, bright colours. It is the ideal product on all kinds of lighting fields at present.

SAFTY INFORMATION

1. This unit belongs to class 1 protective lights, so the lights must be grounded well. Should be grounded by the professional.
2. Please confirm the voltage is among the proper value.
3. Please confirm the power cord is undamaged.
4. Please cut off the power before cleaning the lights.
5. Only permitted to connect the power cord with the plug.
6. Don't use knife to drag the power cord when unplugging.
7. Be careful when installing the light. Don't touch the bare wire, to avoid the electric shock.
8. Don't look straight at the light source when the light is on, otherwise your eyes can be hurt.
9. When choosing the installing position, please confirm the light is not exposed to the high temperature, moist or dusty place.
10. Please use proper, applicable and safe wires to connect the light.
11. Please don't operate it until you know the light's function well.

Note: The light should be operated only by the professional engineer.

12. Please don't modify the light at will, which can cause short circuit, burn, electric shock, etc. Otherwise the manufacturer won't consider warranty.

Technical Specifications:

- Light source: 200W WW+CW COB LED
- Lifetime: more than 50 000 hours
- Power Consumption 250W max.
- DMX: 4 or 5 channels
- Dimmer: linear 0-100%
- Colour temperature: 2700K to 6500K
- Beam Angle: 15-55 degrees.
- Electronic Zoom
- Strobe 1-20Hz
- Temperature Controlled Fan
- DMX 3pin & 5pin connectors
- IP 20
- Environment Temperature -20 to 45°C
- Dimensions (LxWxH): 520x315x320mm
- N.W.: 8.4kg

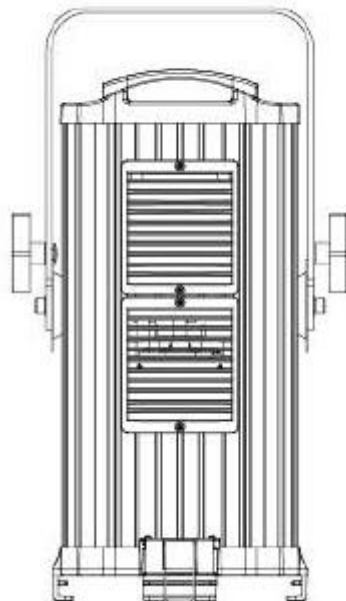
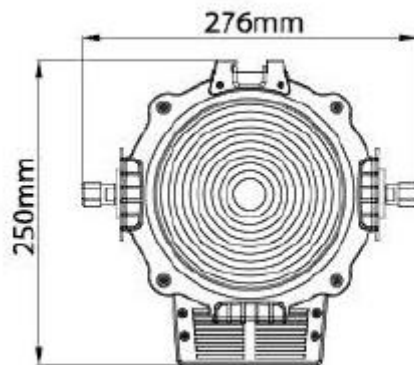
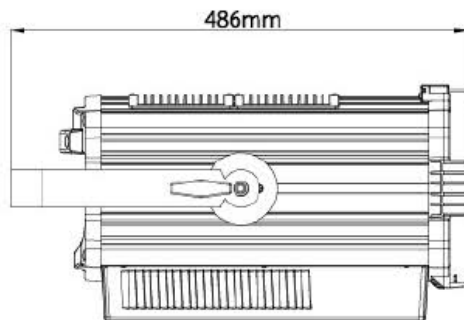
DMX-512 Control

(1) DMX 5 Channel Mode:

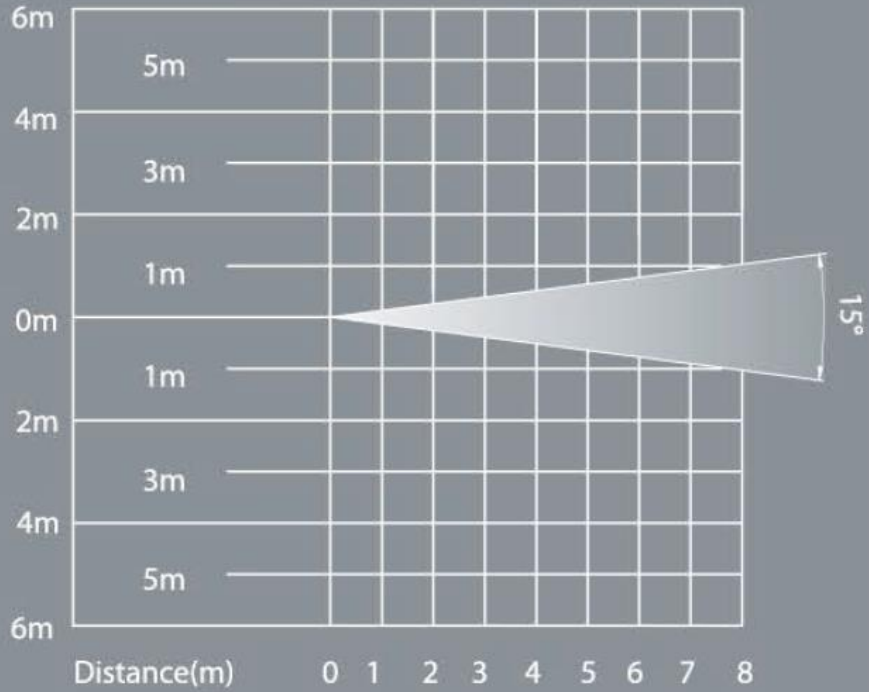
CHANNEL	FUNCTION	VALUE	FUNCTION
CH1	Zoom	0-255	Zoom, from wide to narrow
CH2	Strobe	0-255	Strobe, from slow to fast
CH3	Low Color temp.	0-255	Warm White chip dimmer
CH4	High Color temp.	0-255	Cold White chip dimmer
CH5	Master Dimmer	0-255	Master Light Dimmer

(2) DMX 4 Channel Mode:

CHANNEL	FUNCTION	VALUE	FUNCTION
CH1	Zoom	0-255	Zoom, from wide to narrow
CH2	Strobe	0-255	Strobe, from slow to fast
CH3	Low Color temp.	0-255	Warm White chip dimmer
CH4	High Color temp.	0-255	Cold White chip dimmer



Lux		9040	2568	1189	680
	WW	30450	3934	1669	884
		12180	3467	1546	878
	CW	39630	5806	2221	1155
		19560	5471	2441	1426
	WW+CW	64160	9296	3609	1859



Lux		2843	832	382	223
	WW	10560	1375	534	288
		3922	1077	496	285
	CW	13890	1860	718	379
		6401	1737	803	474
	WW+CW	21860	2912	1128	613

