

USER MANUAL

BRIGHTER PROFILE 600 PRO



USER MANUAL

This product manual contains important information about the safe installation and use of this projector. Please read and follow these instructions carefully and keep this manual in a safe place for future reference.

Please read the instructions carefully before use!

1. SAFETY PRECAUTIONS

This fixture is a sophisticated piece of electronic equipment. To guarantee a smooth operation, it is important to follow all instructions and guidelines in this manual. Manufacturer is not responsible for injuries and damages resulting from the misuse of this fixture due to the disregard of the information printed in this manual. Only qualified or certified personnel should perform installation of this fixture and only the original rigging parts included with this fixture should be used for installation. Any modifications to the fixture and the included mounting hardware will void the original manufacturer's warranty and increase the risk of damage personal injury.

- **PROTECTION CLASS 1 - FIXTURE MUST BE PROPERLY GROUNDED**
- **THERE ARE NO USER SERVICEABLE PARTS INSIDE THIS UNIT.DO NOT ATTEMPT ANY REPAIRS YOURSELF,AS DOING SO WILL VOID YOUR MANUFACTURER'S WARRANTY. DAMAGES RESULTING FROM MODIFICATIONS TO THIS FIXTURE AND/OR THE DISREGARD OF SAFETY INSTRUCTIONS AND GUIDELINES IN THIS MANUAL VOID THE MANUFACTURER'S WARRANTY AND ARE NOT SUBJECT TO ANY WARRANTY CLAIMS AND/OR REPAIRS**
- **DO NOT PLUG FIXTURE INTO A DIMMER PACK**
- **NEVER OPEN THIS FIXTURE WHILE IN USE**
- **UNPLUG POWER BEFORE SERVICING FIXTURE**
- **NEVER TOUCH FIXTURE DURING OPERATION, AS IT MAY BE HOT! KEEP FLAMMABLE MATERIALS AWAY FROM FIXTURE**
- **NEVER LOOK DIRECTLY INTO THE LIGHT SOURCE AT WORK**
- **RETINA INJURY RISK - MAY INDUCE BLINDNESS**
- **SENSITIVE PERSONS MAY SUFFER AN EPILEPTIC SHOCK**
- **ENSURE THAT ALL CONNECTIONS AND END CAPS ARE PROPERLY SEALED WITH A DIELECTRIC GREASE (AVAILABLE AT MOST ELECTRICAL SUPPLIERS) TO PREVENT WATER CORROSION AND/OR ELECTRICAL SHORT CIRCUIT**
- **KEEP APPROPRIATE DISTANCE FROM OBJECTS/SURFACES 1 METER**
- **MAXIMUM TEMP OF EXTERNAL SURFACE 185° F (85°C)**
- **DO NOT TOUCH THE FIXTURE HOUSING DURNING OPERATION. TURN OFF THE POWER AND ALLOW APPROXIMATELY 15 MINUTES FOR THE FIXTURE TO COOL DOWN BEFORE SERVICING**
- **DO NOT SHAKE FIXTURE , AND AVOID BRUTE FORCE WHEN INSTALLING OPERATING**
- **DO NOT OPERATE FIXTURE IF THE POWER CORD IS FRAYED, CRIMPED, DAMAGED OR IF ANY OF THE POWER CORD CONNECTORS ARE DAMAGED AND DO NOT INSERT INTO THE FIXTURE SECURELY WITH EASEY**
- **NEVER FORCE A POWER CORD CONNECTOR INTO THE FIXTURE. IF THE POWER CORD OR ANY OF ITS CONNECTORS ARE DAMAGED, REPLACE IT IMMEDIATELY WITH A NEW ONE OF THE SAME POWER RATING**
- **DO NOT BLOCK ANY AIR VENTILATION SLOTS**
- **ALL FAN AND AIR INLETS MUST REMAIN CLEAN AND NEVER BLOCKED**

- **ALLOW APPROX. 6" (15CM) BETWEEN FIXTURE AND OTHER DEVICES OR A WALL FOR PROPER COOLING**
- **ALWAYS DISCONNECT FIXTURE FROM MAIN POWER SOURCE BEFORE PERFORMING ANY TYPE OF CLEANING PROCEDURE**
- **ONLY HANDLE THE POWER CORD BY THE PLUG END. NEVER PULL OUT THE PLUG BY TUGGING THE WIRE PORTION OF THE CORD**
- **CONSISTENT OPERATIONAL BREAKS WILL ENSURE FIXTURE WILL FUNCTION PROPERLY FOR MANY YEARS**
- **ONLY USE THE ORIGINAL PACKAGING AND MATERIALS TO TRANSPORT THE FIXTURE IN FOR SERVICE**
- **DO NOT ALLOW CHILDREN TO OPERATE THE FIXTURE**
- **IN THE EVENT OF SERIOUS OPERATING PROBLEM, STOP USING THE UNIT IMMEDIATELY**
- **NEVER TURN ON AND OFF THE UNIT TIME AFTER TIME**
- **DO NOT OPERATE THIS PRODUCT IF YOU SEE DAMAGE ON THE HOUSING, SHIELDS, OR CABLES. HAVE THE DAMAGED PARTS REPLACED BY AN AUTHORIZED TECHNICIAN AT ONCE.**
- **IN CASE OF DOUBT CONTACT WITH BRIGHTER LIGHTING**

2. MAINTENANCE GUIDELINES

DISCONNECT POWER BEFORE PERFORMING ANY MAINTENANCE!

2.1. CLEANING

Frequent cleaning is recommended to ensure proper function, optimized light output, and an extended life. The frequency of cleaning depends on the environment in which the fixture operates: damp, smoky or particularly dirty environments can cause greater accumulation of dirt on the fixture's optics. Periodically clean the external lens surface with a soft cloth to avoid dirt/debris accumulation. NEVER use alcohol, solvents, or ammonia-based cleaners

2.2. MAINTENANCE

Regular inspections are recommended to ensure proper function and extended life. There are no user serviceable parts inside this fixture. Please refer all other service issues to an authorized our service technician. Should you need any spare parts, please order genuine parts from your local dealer.

Please refer to the following points during routine inspections:

- A detailed electric check by an approved electrical engineer every three months, to make sure the circuit contacts are in good condition and prevent overheating
- Be sure all screws and fasteners are securely tightened at all times. Loose screws may fall out during normal operation, resulting in damage or injury as larger parts could fall
- Check for any deformations on the housing, color lenses, rigging hardware, and rigging points (ceiling, suspension, trussing). Deformations in the housing could allow for dust to enter into the fixture. Damaged rigging points or unsecured rigging could cause the fixture to fall and seriously injure a person(s)
- Electric power supply cables must not show any damage, material fatigue or sediments. NEVER remove the ground prong from the power cable

3.INSTALLATION GUIDELINES

- The fixture can be mounted in any position.
- The fixture has built-in folding clamps
- Always ensure that mounting surface can withstand 10 times the weight of the fixture.
- Always use a safety cable when mounting the fixture in any elevated position.
- Be sure that the safety cable is connected to a solid load-bearing structure.

4.SYSTEM MENU

Main Menu	Sub Menu	Option/Value	Option/Value
DMX	Address	001-512	
		Prev	Shift address back by 37
		Next	Shift address next by 37
	Channel	037CH	
	Control Mode	DMX	
		Auto	
		Sound	
		Scene	
	Scene mode	Auto	
		Scene01-10	
	M/S choose	Slave	
		Master	
		Auto	
	P/T rectify	Off	
		On	
Data hold	Off		

		On		
SET	Fan speed	Silent		
		Auto		
		Full		
	Pan Invert	Off		
		On		
	Tilt invert	Off		
		On		
	Scene time multiple	000-255		
	Reset	Cancel		
		Confirm		
	Scene	Scene Select	001-010	
		Scene Time	000-255	
		Control Mode	Off	
			On	
		1.Pan	000-255	
		2.Pan Fine	000-255	
		3.Tilt	000-255	
		4.Tilt Fine	000-255	
		5.PT Spd	000-255	
		6.Dimmer	000-255	
		7.Strobe	000-255	
		8.Colour	000-255	
		9.Cyan	000-255	
		10.Magenta	000-255	
		11.Yellow	000-255	
		12.CTO	000-255	
		13.Color2	000-255	
		14.Gobo	000-255	
		15.Rot Gobo	000-255	
		16.Gobo Rot	000-255	
17.Eft lrt		000-255		
18.Eft Gobo		000-255		
19.Prism1		000-255		
20.Prism1 .R		000-255		
21.Frost1		000-255		
22.Frost2		000-255		
23.Zoom	000-255			
24.Focus	000-255			
25.Focus F	000-255			
26.Macro	000-255			

		27.CUT1	000-255	
		28.CUT2	000-255	
		29.CUT3	000-255	
		30.CUT4	000-255	
		31.CUT5	000-255	
		32.CUT6	000-255	
		33.CUT7	000-255	
		34.CUT8	000-255	
		35.Cut Rot	000-255	
		36.Iris	000-255	
		37.Reset	000-255	
	Display	Language	Chinese	
			English	
		Screen Saver	Off	
			Mode 1	
			Mode 2	
		Screen Rot	Mode 3	
			Reverse	
			Forward	
		DMX Indicate	Auto	
Mode 1				
Mode 2				
Signal Bright	001-010			
Screen Light	001-010			
Calibration	Password			
Factory Setting	Cancel			
	Confirm			
SYS	Motor Info			
	Fault logging			
	Device status			
	Version			
	Run time			
	Serial number			
NET	Operaton choose	DMX		
		NET&DMX		
		ARTNET		
	IP	xxx.xxx.xxx.xxx	After change restart the fixture	
	Mask	xxx.xxx.xxx.xxx	After change restart the fixture	
	Universe	00000-30000		
	DHCP	Off		

		On	
	sACN	Off	
		On	

5.DMX CHART

37Ch

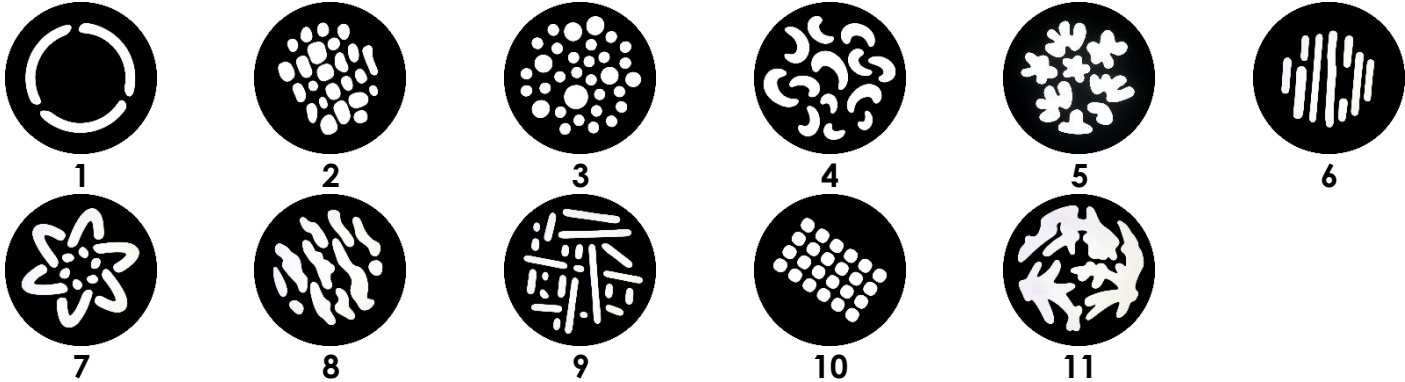
CH	Value	Function	Description
1CH	0-255	Pan	-270°- 270°
2CH	0-255	Pan Fine	16 bit adjustable
3CH	0-255	Tilt	-135°- 135°
4CH	0-255	Tilt Fine	16 bit adjustable
5CH	0-255	Pan/Tilt speed	Fast to slow
6CH	0-255	Master Dimmer	Dark to light
7CH	0-255	Strobe	
	0-3	Closed	
	4-99	Random strobe	The larger value, the faster speed
	100-149	Pulse close	The larger value, the faster speed Dark to light
	150-199	Pulse open	The larger value, the faster speed Light to dark
	200-249	Synchronous strobe	The larger value, the faster speed
	250-255	Open	
8CH	0-255	Colour Wheel	
	0-5	White	
	6-127	Linear wheel adjusting	
	128-143	Red	
	144-159	Green	
	160-175	Blue	
	176-191	Yellow	
	192-255	CW Bounce	Slow to fast
9CH	0-255	Cyan	
10CH	0-255	Magenta	
11CH	0-255	Yellow	
12CH	0-255	CTO	
	0-15	Off	
	16-255	Cold to warm	7500K-3000K
13CH	0-255	HI-CRI filter	

	0-127	Off	
	128-255	On	
14CH	0-255	Static Gobo	
	0-4	Open	
	5-9	Gobo 1	
	10-14	Gobo 2	
	15-19	Gobo 3	
	20-24	Gobo 4	
	25-29	Gobo 5	
	30-34	Gobo 6	
	35-39	Gobo 7	
	40-44	Gobo 8	
	45-49	Gobo 9	
	50-54	Gobo 10	
	55-59	Gobo 11	
	60-64	Gobo 11 Shake	
	65-74	Gobo 10 Shake	
	75-84	Gobo 9 Shake	
	85-94	Gobo 8 Shake	
	95-104	Gobo 7 Shake	
	105-114	Gobo 6 Shake	
	115-124	Gobo 5 Shake	
	125-134	Gobo 4 Shake	
	135-144	Gobo 3 Shake	
145-154	Gobo 2 Shake		
155-164	Gobo 1 Shake		
	165-218	CW Rot fast to slow	
	219-221	Stop	
	222-255	CCW Rot slow to fast	
15CH	0-255	Rot Gobo	
	0-9	Open	
	10-19	Gobo 1	
	20-29	Gobo 2	
	30-39	Gobo 3	
	40-49	Gobo 4	
	50-59	Gobo 5	
	60-69	Gobo 6	

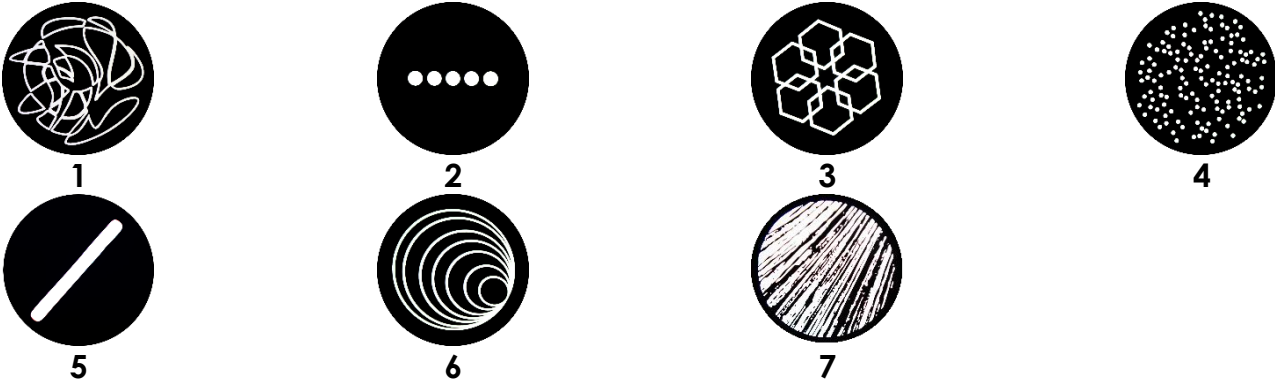
	70-79	Gobo 7	
	80-89	Gobo 7 Shake	
	90-99	Gobo 6 Shake	
	100-109	Gobo 5 Shake	
	110-119	Gobo 4 Shake	
	120-129	Gobo 3 Shake	
	130-139	Gobo 2 Shake	
	140-149	Gobo 1 Shake	
	150-205	CW Rot fast to slow	
	206-209	Stop	
	210-255	CCW Rot slow to fast	
16CH	0-255	Gobo Rotation	
	0-127	0-360(degree)	
	128-191	Rotate reverse (fast to slow)	
	192	Stop	
	193-255	Rotate forward (slow to fast)	
17CH	0-255	Animation Disk	
	0-9	Off	
	10-255	Linear insert	
18CH	0-255	Disk Rot	
	0	Stop	
	0-127	CW Rot fast to slow	
	128	Stop	
	129-255	CCW Rot slow to fast	
19CH	0-255	Prism	
	0-127	Prism Off	
	128-255	Prism On	3-facet circular
20CH	0-255	Prism Rot	
	0-127	0-360(degree)	
	128-191	Rotate reverse (fast to slow)	
	192	Stop	
	193-255	Rotate forward (slow to fast)	
21CH	0-255	Frost 1	
	0	Off	
	1-255	Light to Heavy	
22CH	0-255	Frost 2	

	0	Off	
	1-255	Light to Heavy	
23CH	0-255	Zoom	Narrow to wide
24CH	0-255	Focus	Far to near
25CH	0-255	Focus Fine	16 bit adjustable
26CH	0-255	Reserved	
27CH	0-255	Blade 1B	
28CH	0-255	Blade 1A	
29CH	0-255	Blade 3B	
30CH	0-255	Blade 3A	
31CH	0-255	Blade 4A	
32CH	0-255	Blade 4B	
33CH	0-255	Blade 2A	
34CH	0-255	Blade 2B	
35CH	0-255	Blade rot	0° to 90°
36CH	0-255	Iris	
	0	Open	
	1-190	Open to close	
	191-255	Pulse open slow to fast	
37CH	0-255	Control	The value must stop for 5 seconds to make Effect
	0-66	No Function	Menu set, no change
	57-71	Fan Mode	Full
	72-76		Auto
	77-81		Silent
	82-200	No Function	Menu set, no change
	201-215	Effect motor reset	
	216-230	Pan/Tilt motor reset	
	231-245	Overall reset	
246-255	No Function	Menu set, no change	

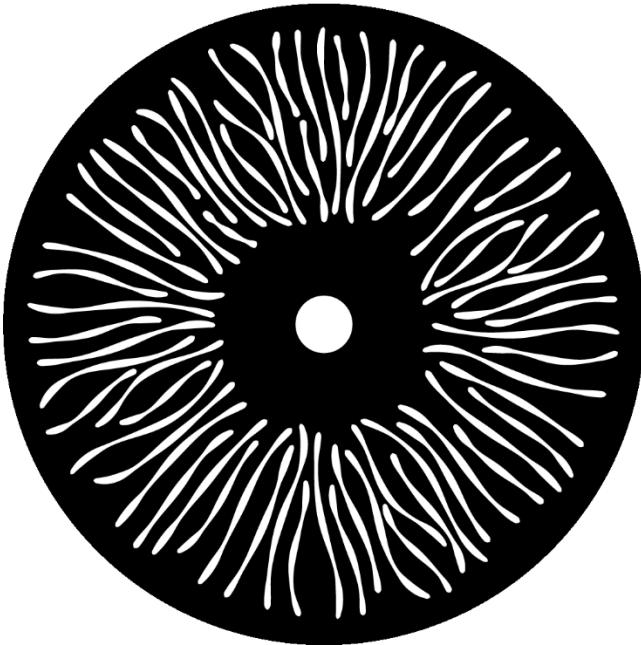
Static Gobo Wheel in order:



Rot Gobo Wheel in order:



Animation wheel:



6.SPECIFICATIONS

CONSTRUCTION/PHYSICAL

Dimensions: 400x300x700mm

Weight: 28 Kg

Exterior Color: Black

Housing material: Aluminium profile + high-quality plastic

Protection rating: IP20

DYNAMIC EFFECTS

Dimmer: Electronic

Strobe: Electronic

Strobe Rate: 1-25Hz

Standalone: Yes

Colour Mixing: CMY+CTO

HI-CRI Filter

CRI: >70Ra, >90Ra (with HI-CRI filter)

Lux: 154 000lux@3m(Zoom Narrow 6°),

5260lux@3m(Zoom Wide 50°)

Total lumen output: 30 943lm

Light Source temperature: 8000K

Colour Wheel: 5 colors + white

Frost: 2 independent frost filters

Fixed gobos: 11 fixed patterns

Rotating gobos: 7 glass patterns

Animation Disk: 1 rotating animation disk

Prism: 3-facet circular prism

Iris: mechanical

4 electronic framing blades with +/-45° rotation

Pan movement: 540°, 16 bit

Tilt movement: 270°, 16 bit

CONNECTIONS

Power Connection: PowerCon True1 (IN/OUT)

DMX Connection: XLR 5-pin

Art-Net Connection: RJ-45

CONTROL

Control Protocols: DMX/ArtNet/sACN/RDM

DMX Channels: 37CH

Build-in Effects: Yes

ELECTRICAL

Power Supply Voltage: 100-240V 50/60Hz

Maximum Power Consumption: 650W

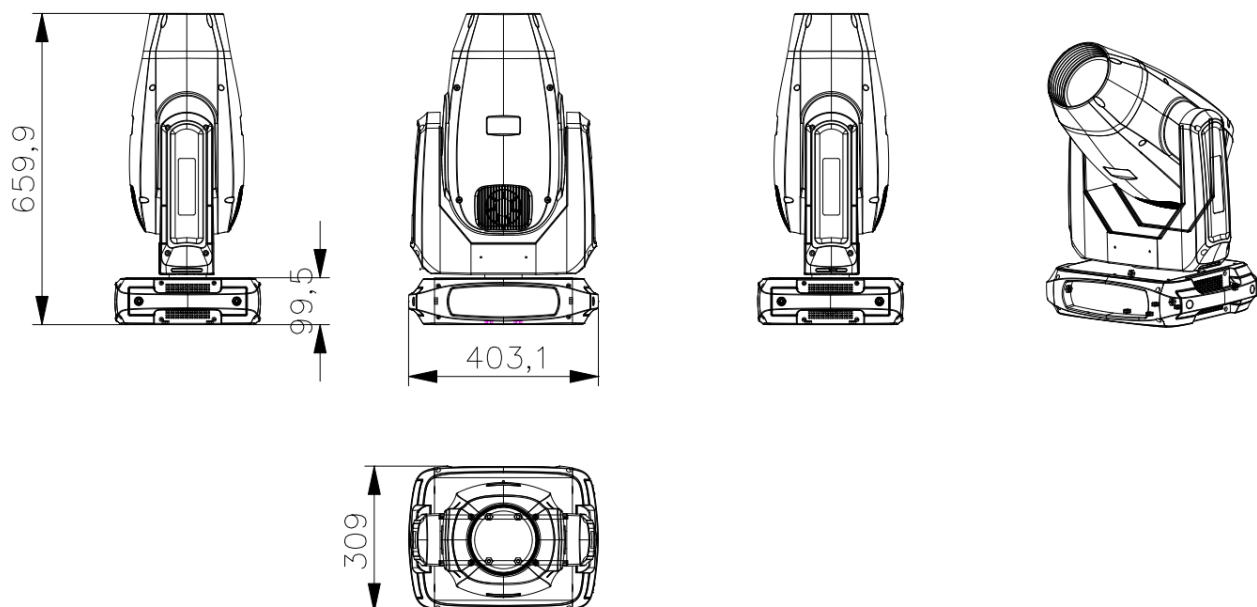
Light Source: 600W LED ,7500K

OPTIC

Zoom: 6°-50°

Focus: Electronic, 16 Bit

7.DIMENSIONAL DRAWINGS





BRIGHTER LIGHTING SP. Z O.O.

ul. Warszawska 111

32-087 Bibice

POLAND

NIP: 9442248196

REGON: 361197164

Date of issue: 01.02.2025

The manufacturer reserves the right to make changes to technical parameters



BRIGHTER LIGHTING SP. Z O.O.

ul. Warszawska 111

32-087 Bibice

POLAND

NIP: 9442248196

REGON: 361197164